

Grundfos Efficiency Upgrade Cross Reference Guide



Table of Contents

Page #	Description
3	Taco 00 Pumps
5	Taco 00e Pumps
7	Taco 100 Pumps
9	Taco 1400/2400 Pumps
11	Taco 00VR Pumps
13	Taco 1600 Pumps
15	Taco 1900 Pumps
17	B&G PL Pumps
19	B&G 60 Pumps
21	B&G PL Pumps
23	B&G NRF Pumps
25	B&G 3-Piece Pumps
23	B&G Ecocirc XL Pumps
25	Wilo Stratos Pumps
23	B&G 80 Series Pumps
25	B&G 90 Series Pumps



**Alpha2
15-55**



**Alpha2
26-99**



Magna3

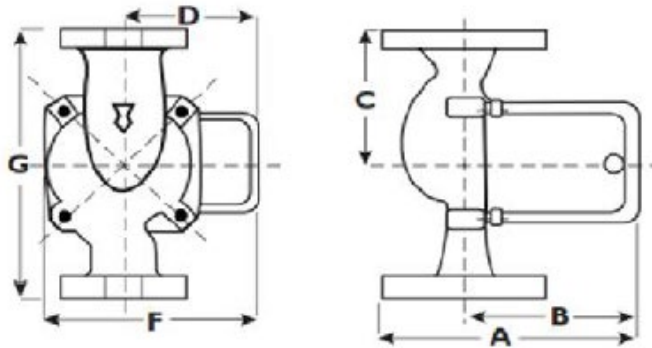


TPE3



CRE-DP

TACO 00 Series to Grundfos Efficient Option



Industry Leading Technology
 Maintenance Free Wet-Rotor Construction
 Integrated Speed Control and Self-Sizing Logic
 High Efficiency ECM motor
 Whisper Quiet Operation



Grundfos ALPHA2 pumps are high-efficiency circulators, designed for circulating liquids in heating systems, and for domestic hot-water recirculation. The pump features AUTOADAPT which automatically adjusts the pump to system demands for lowest energy consumption.
 Lifecycle Savings - Reduces Energy Consumption by up to 85%
 Easy Installation - Pump "Right Sizes" for Most Applications
 Maintenance Free - Reliable for Decades of Efficient Operation
 In-Stock Locally - Standard Shelf Product

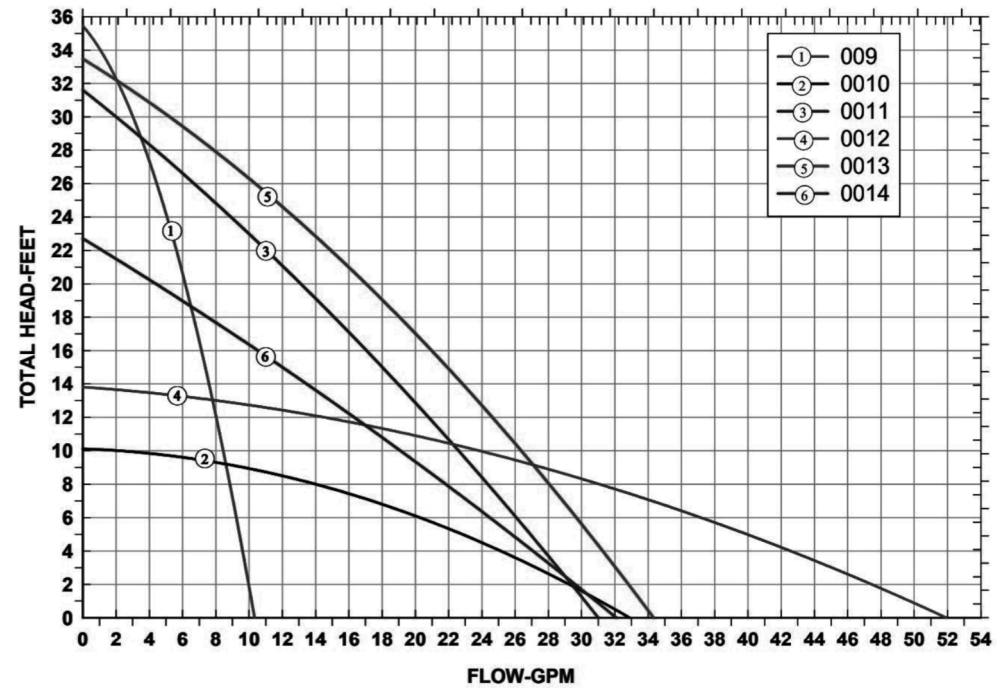
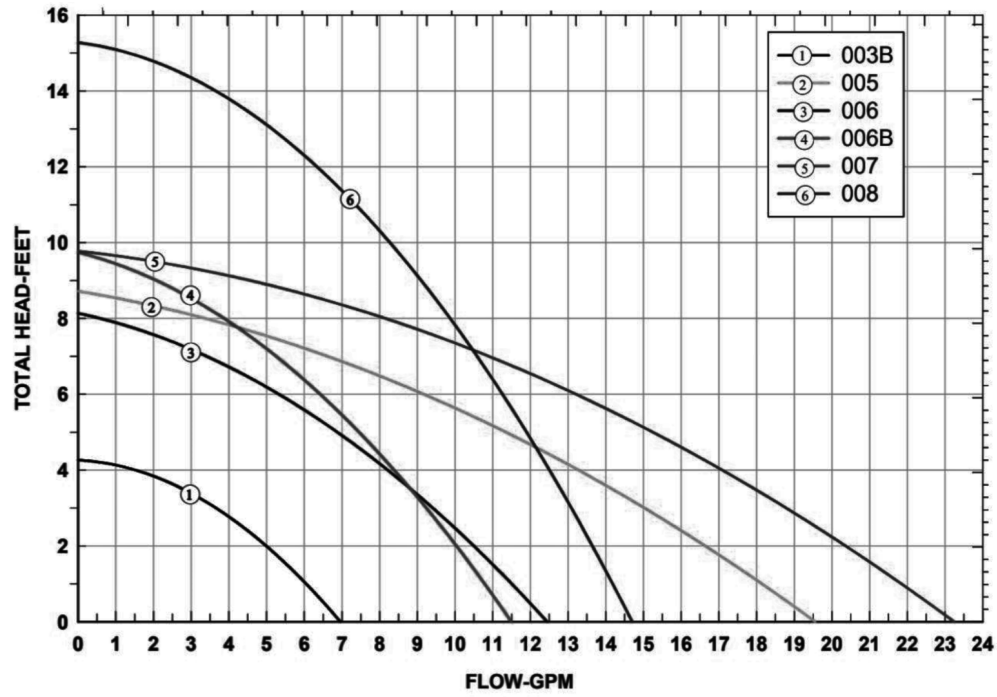
NOTE:
 If Stainless Steel is needed for model Alpha2 26-99, use the Magna3 32-120

Taco 00 Series Circulators						Grundfos			Grundfos Alpha2 or Magna3 Crossover Options			
Model	Flange Size	Motor Power	Flange to Flange	Pump Dimensions		Model	GF Flange	Flange to Flange	Cast Iron		Stainless Steel	
				A	B				1x115V	1x208-230v	1x115V	1x208-230v
	in	HP	G					in	Material #	Material #	Material #	Material #
003 sw	sweat	1/40	4 13/32	5 1/8	4 1/8	Alpha2 15-55 F	GF 15/26	6 1/2	99163903		99163937	
005	2 bolt	1/35	6 3/8	5 5/8	4	Alpha2 15-55 F	GF 15/26	6 1/2	99163903		99163937	
006 sw	sweat	1/40	4 13/32	5 1/8	4 1/8	Alpha2 15-55 F	GF 15/26	6 1/2	99163903		99163937	
006	2 bolt	1/40	6 3/8	6 1/4	4 3/8	Alpha2 15-55 F	GF 15/26	6 1/2	99163903		99163937	
007	2 bolt	1/25	6 3/8	6 3/8	4 1/2	Alpha2 15-55 F	GF 15/26	6 1/2	99163903		99163937	
008	2 bolt	1/25	6 3/8	6	4	Alpha2 15-55 F	GF 15/26	6 1/2	99163903		99163937	
009	2 bolt	1/8	6 3/8	7	5 11/16	Alpha2 26-99 F	GF 15/26	6 1/2	99490916	Magna3 32-120 F	99833308	
0010	2 bolt	1/8	6 3/8	7 1/4	5 5/16	Alpha2 26-99 F	GF 15/26	6 1/2	99490916	Magna3 32-60 F	98126822	
0011	2 bolt	1/8	6 1/2	7 1/2	6 1/8	Alpha2 26-99 F	GF 15/26	6 1/2	99490916	Magna3 32-120 F	99833308	
0012	2 bolt	1/8	8 1/2	8 5/8	6 3/8	Alpha2 26-99 F	GF 15/26	6 1/2	99490916	Magna3 32-60 F	98126822	
0013	2 bolt	1/6	6 1/2	7 1/2	6 1/8	Alpha2 26-99 F	GF 15/26	6 1/2	99490916	Magna3 32-120 F	99833308	
0014	2 bolt	1/8	6 1/2	7 1/4	5 13/16	Alpha2 26-99 F	GF 15/26	6 1/2	99490916	Magna3 32-60 F	98126822	
0015	2 bolt	1/20	6 3/8	6 1/2	4 5/8	Alpha2 15-55 F	GF 15/26	6 1/2	99163903		99163937	

TACO 00 Series



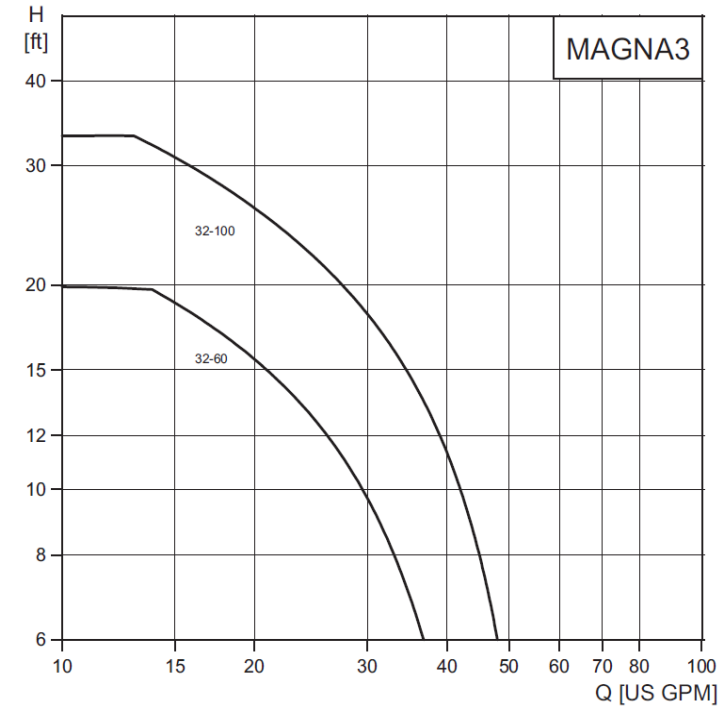
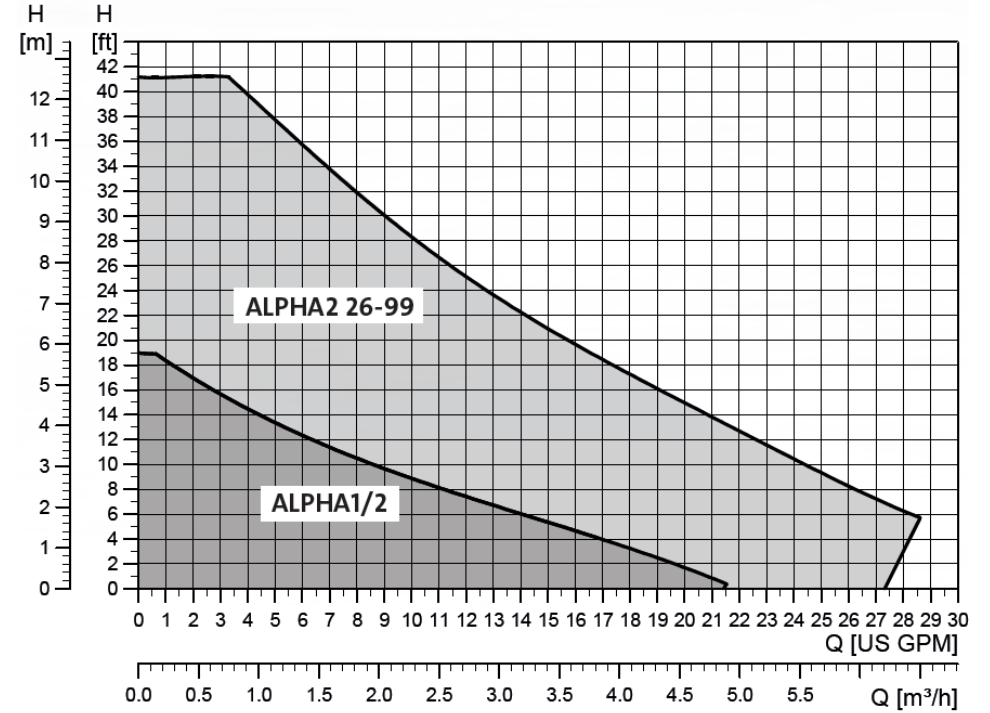
Taco 00 Series



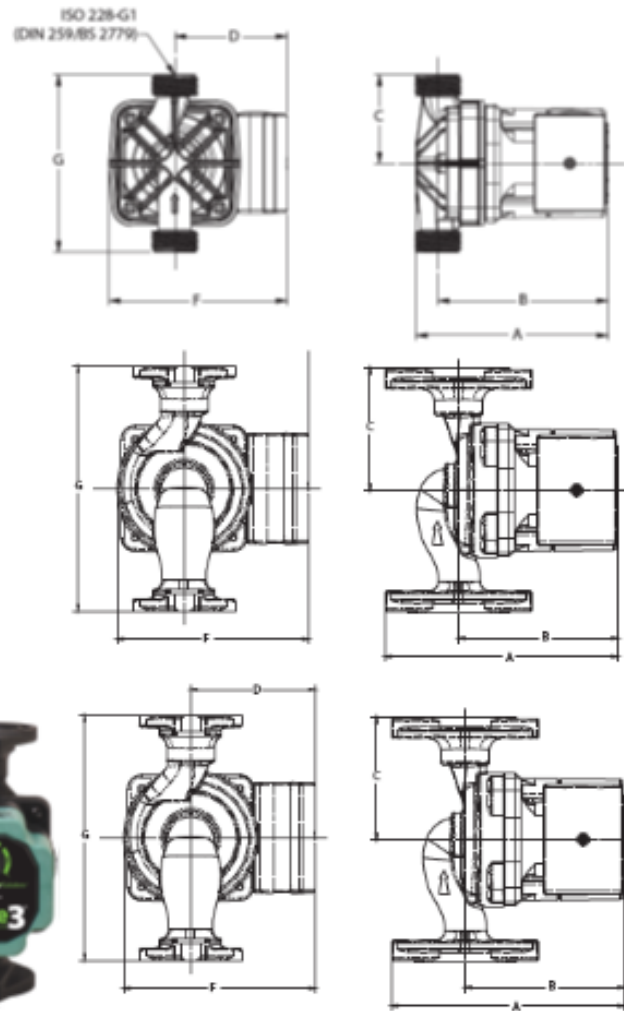
Grundfos Offering



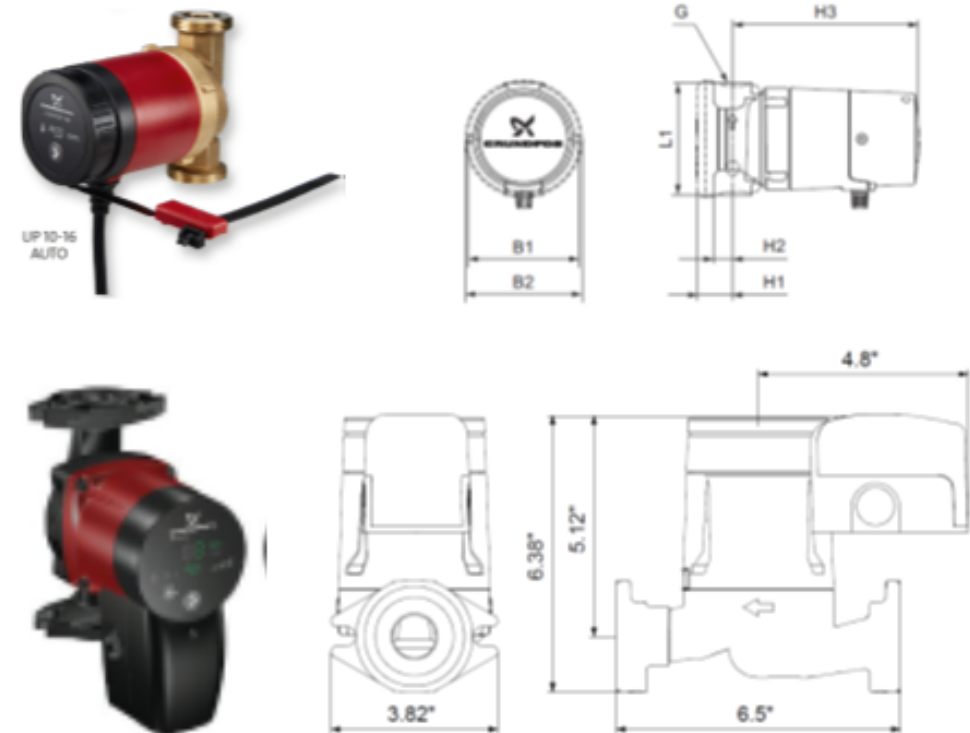
Grundfos



TACO 00e SERIES



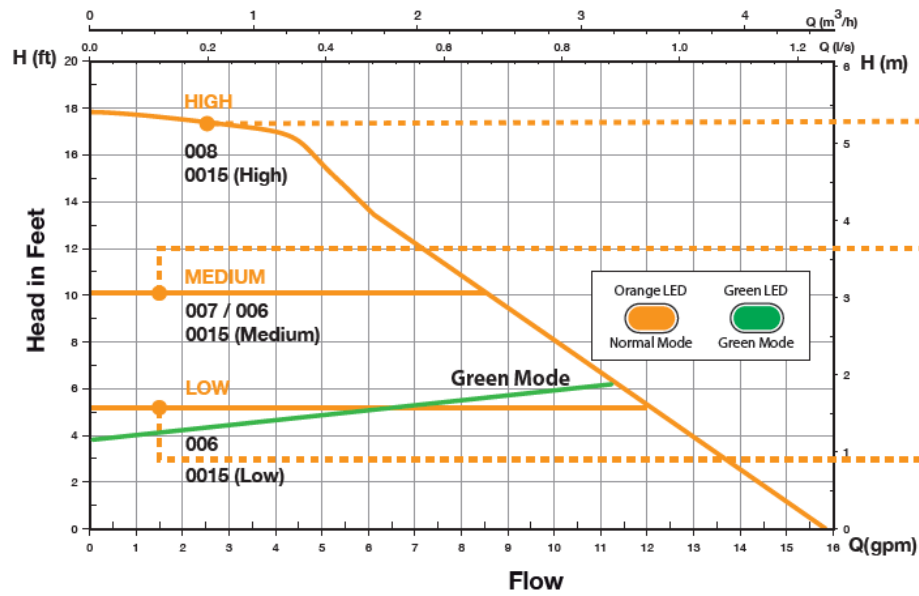
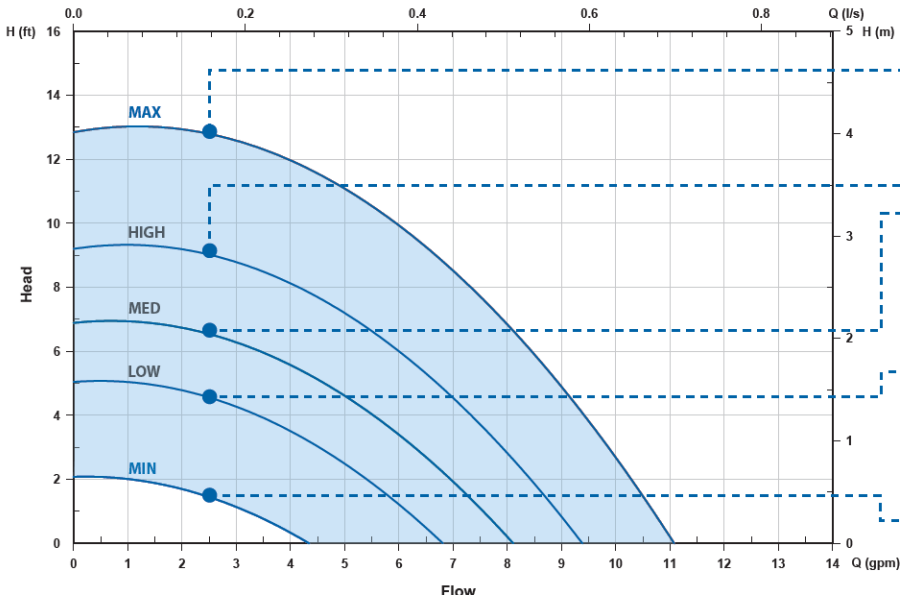
GRUNDFOS



Taco 00 Series Circulators						Grundfos			Grundfos Alpha2 or Magna3 Crossover Options			
Model	Flange Size in	Motor Power HP	Flange to Flange G	Pump Dimensions		Model	GF Flange Flange Type	Flange to Flange in	Cast Iron		Stainless Steel	
				A	B				1x115V Material #	1x208-230v Material #	1x115V Material #	1x208-230v Material #
003e	union	1/40	5 1/8	5 1/2	4 7/8	UP10-16 Auto	GU125 union	3 1/8			98420224	
006e	union	1/40	5 1/8	5 1/2	4 7/8	Alpha HWR-T	GU125 union	6 1/2			99906545	
007e-F2	2 bolt	1/25	6 3/8	6	4 1/8	Alpha2 15-55 F	GF 15/26	6 1/2	99163903		99163937	
007e-F4	4 bolt	1/25	6 3/8	6	4 1/8	Alpha2 15-55 F	GF 15/26	6 1/2	99163903		99163937	
0015e-2F2	2 bolt	1/25	6 3/8	6	4 1/8	Alpha2 15-55 F	GF 15/26	6 1/2	99163903		99163937	
0015e-2F4	4 bolt	1/25	6 3/8	6	4 1/8	Alpha2 15-55 F	GF 15/26	6 1/2	99163903		99163937	
0018e-2F2	2 bolt	1/25	6 3/8	6	4 1/8	Alpha2 15-55 F	GF 15/26	6 1/2	99163903		99163937	
0018e-2F4	4 bolt	1/25	6 3/8	6	4 1/8	Alpha2 15-55 F	GF 15/26	6 1/2	99163903		99163937	
VR1816-FC2	2 bolt	1/25	6 3/8	6	4 1/8	Alpha2 15-55 F	GF 15/26	6 1/2	99163903		99163937	
VR1816-4C2	4 bolt	1/25	6 3/8	6	4 1/8	Alpha2 15-55 F	GF 15/26	6 1/2	99163903		99163937	

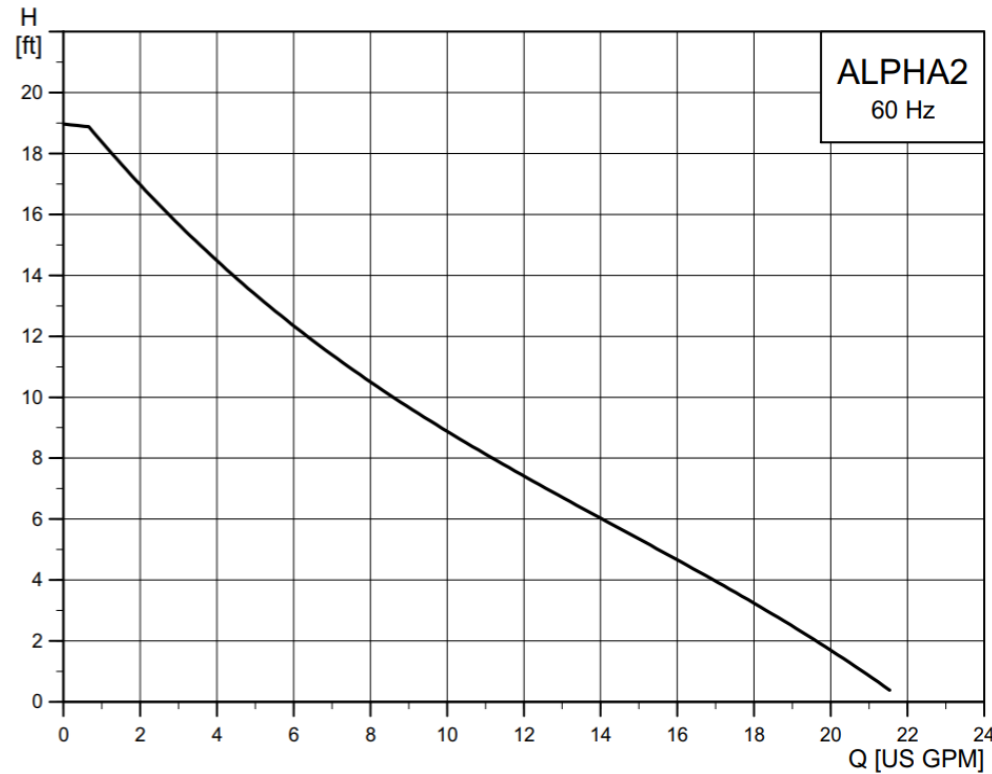
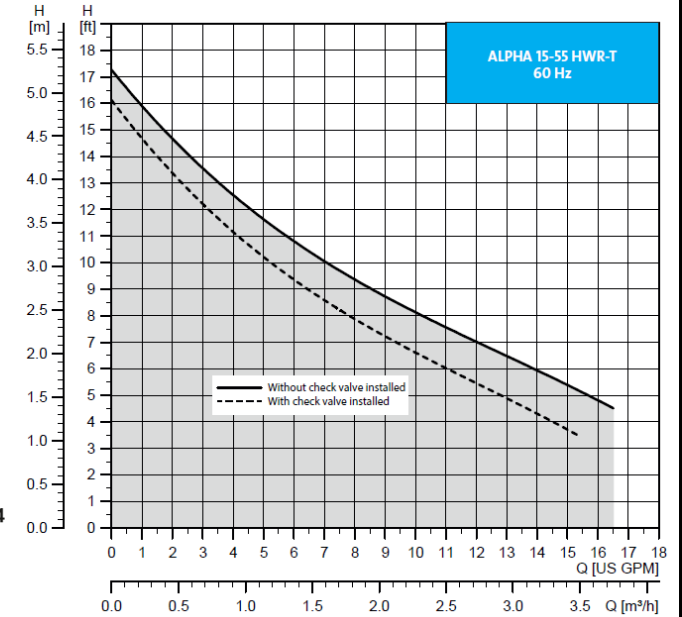
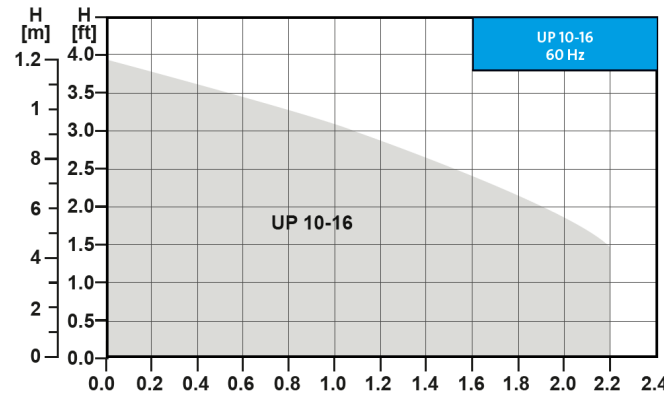


Taco 00e Series

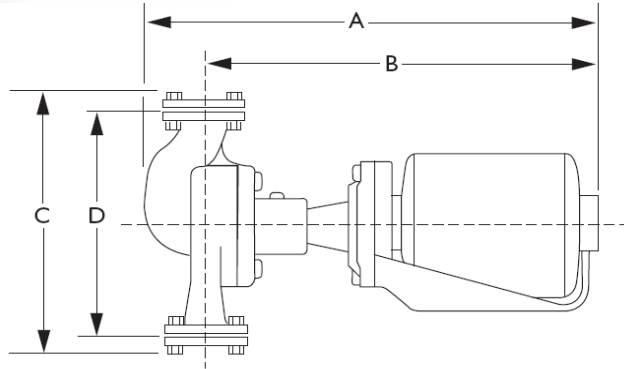


Grundfos

PERFORMANCE DATA



TACO 100 Series to Grundfos Efficient Option



Industry Leading Technology
 Maintenance Free Wet-Rotor Construction
 Integrated Speed Control and Self-Sizing Logic
 High Efficiency ECM motor
 Whisper Quiet Operation



The Grundfos MAGNA3 model D circulator pumps are designed for circulating liquids in systems with variable flow requirements where you want to optimize the setting of the pump duty point, thus reducing energy costs. The pump features AUTOADAPT which automatically adjusts the pump to system demands for lowest energy consumption.
 Lifecycle Savings - Reduces Energy Consumption by up to 85%
 Easy Installation - Pump "Right Sizes" for Most Applications
 Maintenance Free - Reliable for Decades of Efficient Operation
 In-Stock Locally - Standard Shelf Product

Taco 100						Grundfos Magna3				Grundfos Magna3 Crossover Voltage Options			
Model	Flange Size in	Motor Power HP	Flange to Flange D	Pump Dimensions		Model	GF Flange	Motor Power HP	Flange to Flange in	Cast Iron		Stainless Steel	
				A	B					1x115V Material #	1x208-230V Material #	1x115V Material #	1x208-230V Material #
110	1 1/4	1/12	7 7/8	14 5/8	12 5/8	Magna3 32-60 F	GF 15/26	1/8	6 1/2	98126820		98126822	
111	1 1/4	1/8	10 1/4	16 1/4	13 7/8	Magna3 32-120 F	GF 15/26	1/6	6 1/2	99833304		99833308	
112	1 1/4	1/3	7 7/8	16 1/2	14 1/2	Magna3 32-120 F	GF 15/26	1/6	6 1/2	99833304		99833308	
113	1 1/4	1/8	10 1/8	16 1/4	14	Magna3 32-60 F	GF 15/26	1/8	6 1/2	98126820		98126822	
120	2	1/6	13 1/2	16 7/8	14 1/4	Magna3 40-80 F	GF 15/26 or 40/43	1/3	8 1/2	98126800	98126828	98126802	98126830
121	2 1/2	1/4	11 1/8	18 1/8	15 7/8	Magna3 50-80 F	GF 53	1/3	9 1/2	98126812	98126840	98126814	98126842
122	3	1/4	11 1/8	18 1/8	15 7/8	Magna3 50-80 F	GF 53	1/3	9 1/2	98126812	98126840	98126814	98126842
131	3	1/3	13 5/8	19 1/4	15 3/4	Magna3 50-80 F	GF 53	1/3	9 1/2	98126812	98126840	98126814	98126842
132	3	1/2	13 5/8	21 1/2	18	Magna3 50-80 F	GF 53	1/3	9 1/2	98126812	98126840	98126814	98126842
133	3	3/4	13 5/8	22 1/8	18 5/8	Magna3 50-120 F	GF 53	3/4	11	99833473	99833476	99833475	99833477
138	3	1	13 5/8	22 5/8	19 1/8	Magna3 65-120 F	GF 65	1	13 3/8	98124696	98126848	98124702	98126850

TACO 100 Series

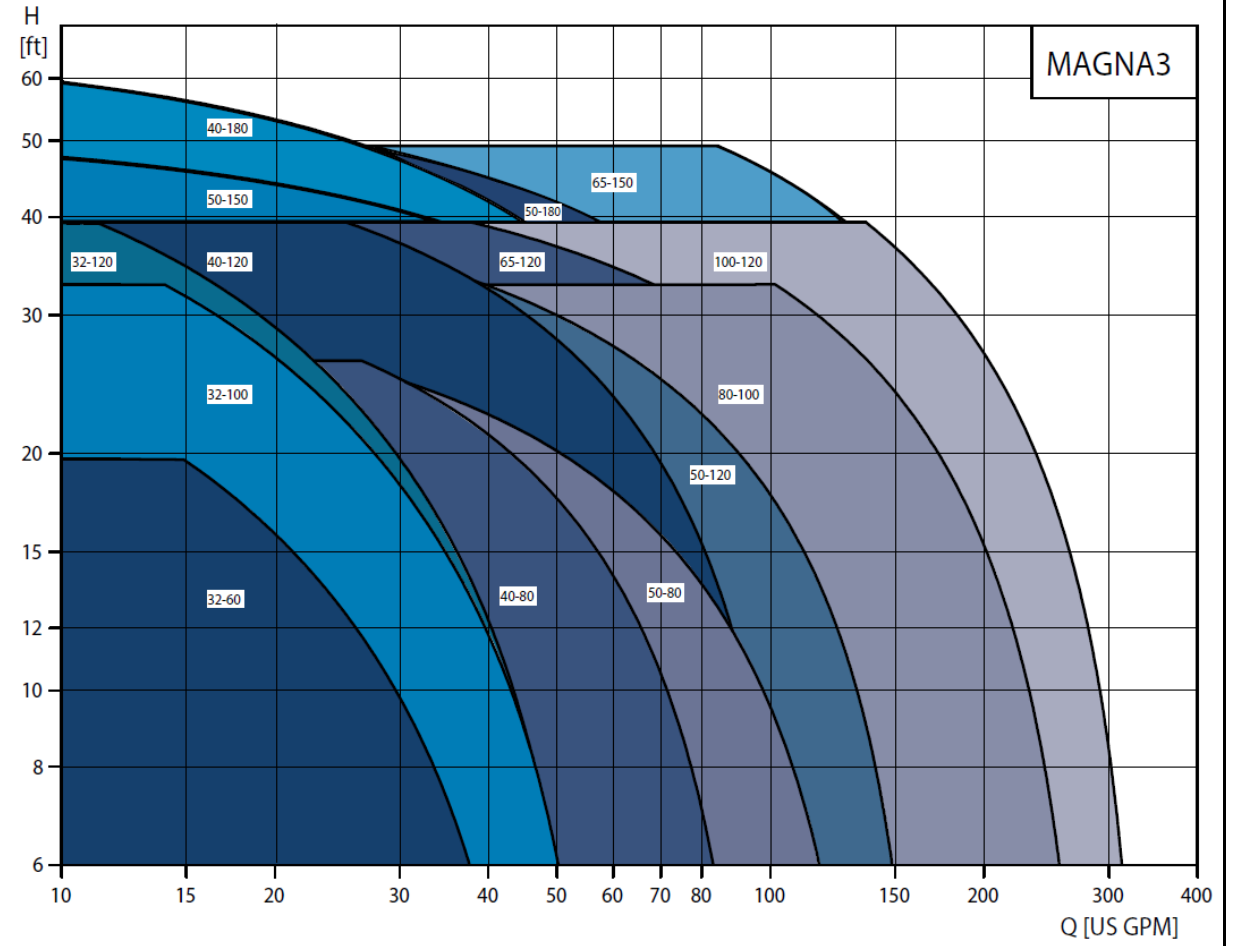
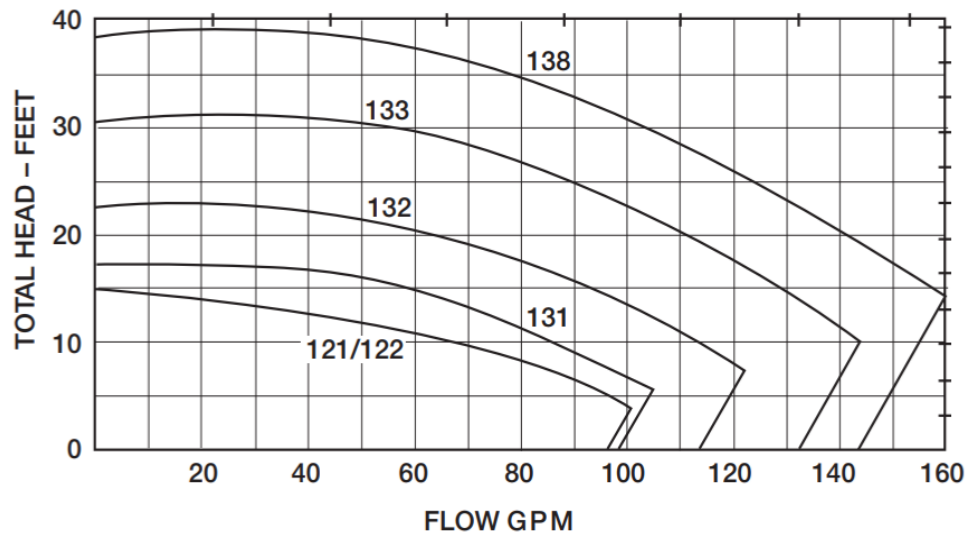
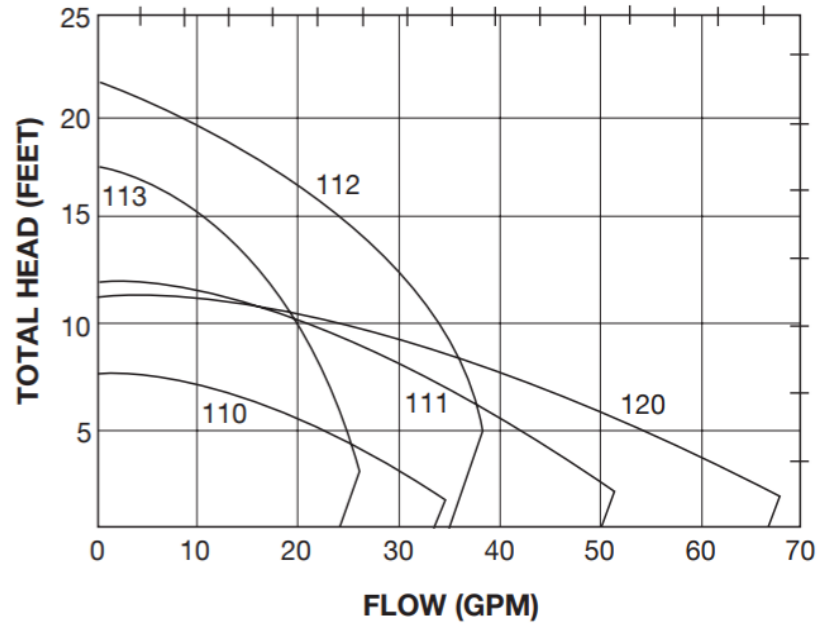


Grundfos Offering

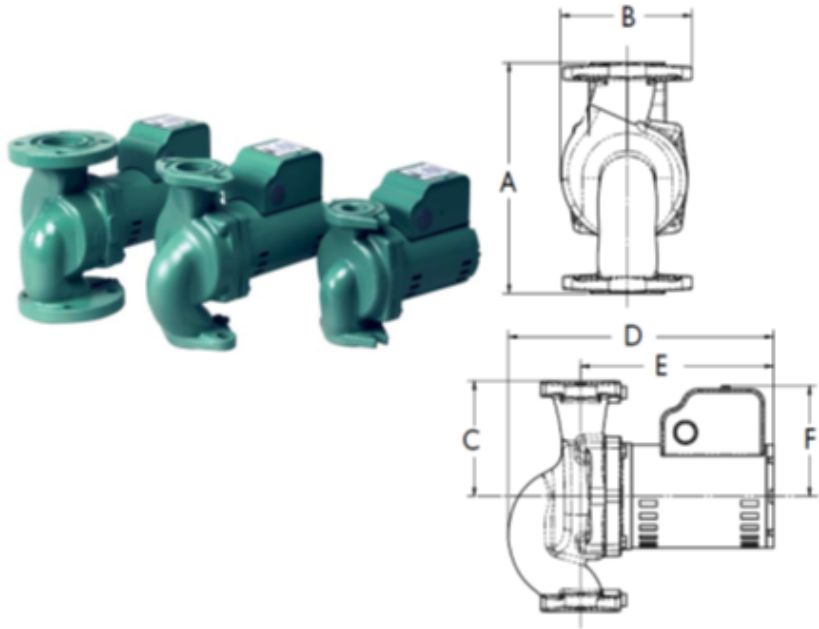


Taco 100 Series

Grundfos



TACO 1400/2400 Series to Grundfos Efficient Option



Industry Leading Technology
 Maintenance Free Wet-Rotor Construction
 Integrated Speed Control and Self-Sizing Logic
 High Efficiency ECM motor
 Whisper Quiet Operation



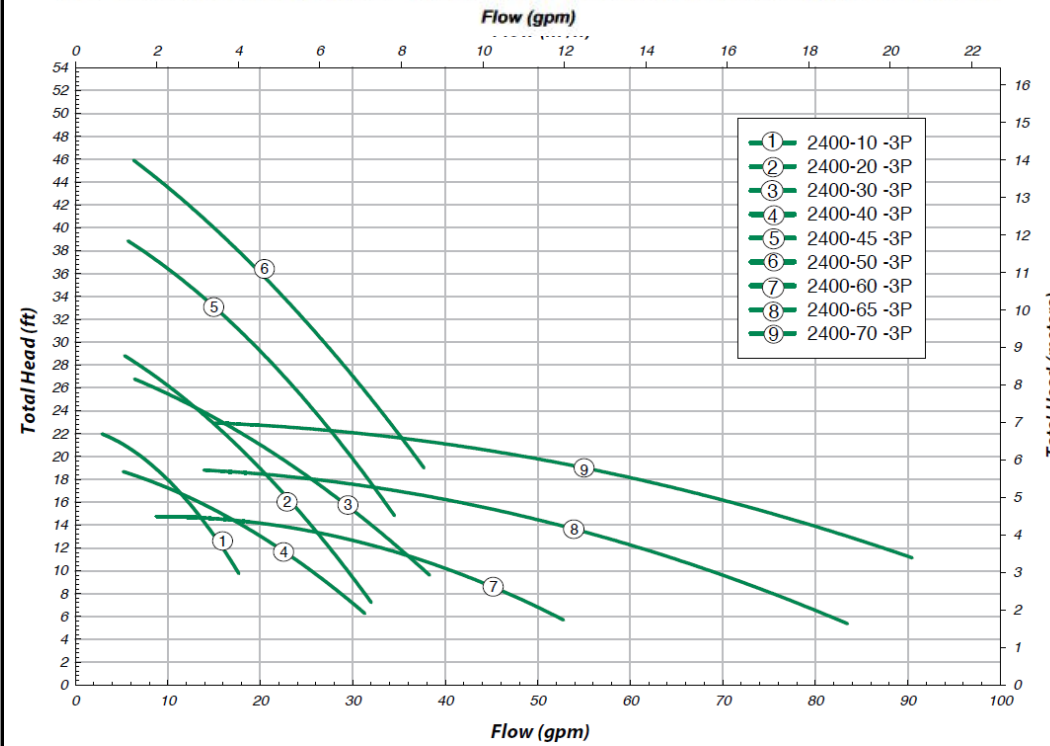
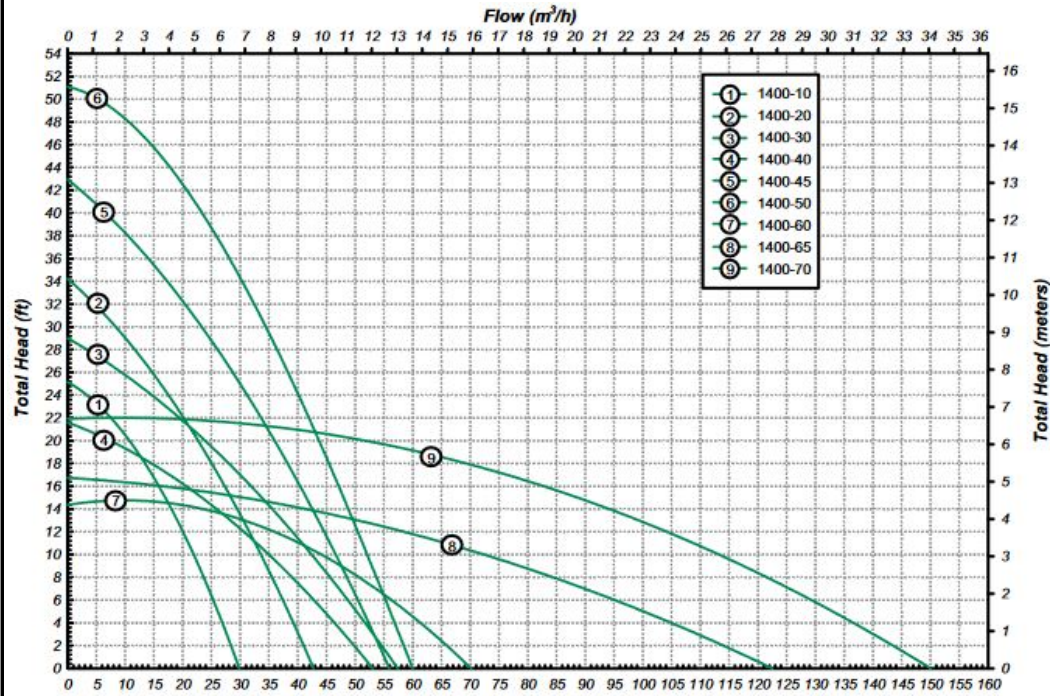
The Grundfos MAGNA3 model D circulator pumps are designed for circulating liquids in systems with variable flow requirements where you want to optimize the setting of the pump duty point, thus reducing energy costs. The pump features AUTOADAPT which automatically adjusts the pump to system demands for lowest energy consumption.
 Lifecycle Savings - Reduces Energy Consumption by up to 85%
 Easy Installation - Pump "Right Sizes" for Most Applications
 Maintenance Free - Reliable for Decades of Efficient Operation In-Stock Locally - Standard Shelf Product

Taco 1400 & 2400							Grundfos Magna3				Grundfos Magna3 Crossover Voltage Options			
Model	Flange Size	Motor Power	Flange to Flange	Pump Dimensions			Magna3 Model	GF Flange	Motor Power	Flange to Flange	Cast Iron		Stainless Steel	
				A	D	E					1x115V	1x208-230V	1x115V	1x208-230V
	in	HP	A	D	E				in	Material #	Material #	Material #	Material #	
1400-10	2-Bolt	1/10	6-3/8"	8 3/16	6 3/8	Magna3 32-120 F	GF 15/26	1/6	6 1/2	99833304		99833308		
1400-20	2-Bolt	1/6	6-3/8"	8 5/8	6 7/8	Magna3 32-120 F	GF 15/26	1/6	6 1/2	99833304		99833308		
1400-30	2-Bolt	1/6	8-1/2"	9 3/4	7 1/8	Magna3 40-80 F	GF 15/26 or 40/43	1/3	8 1/2	98126800	98126828	98126802	98126830	
1400-40	2-Bolt	1/6	8-1/2"	9 3/4	7 1/8	Magna3 40-80 F	GF 15/26 or 40/43	1/3	8 1/2	98126800	98126828	98126802	98126830	
1400-45	2-Bolt	1/3	6-3/8"	10 1/4	8 1/2	Magna3 40-120 F	GF 15/26 or 40/43	1/2	6 1/2	98126804	98126832	98126806	98126834	
1400-50	2-Bolt	1/2	6-3/8"	10 1/4	8 1/2	Magna3 40-180 F	GF 15/26 or 40/43	8 1/2	8 1/2	98126808	98126836	98126810	98126838	
1400-50/2	2" 2-Bolt	1/2	6-3/8"	10 1/4	8 1/2	Magna3 40-180 F	GF 15/26 or 40/43	8 1/2	8 1/2	98126808	98126836	98126810	98126838	
1400-60	2" 2-Bolt	1/6	8-1/2"	9 3/4	7 1/8	Magna3 40-80 F	GF 15/26 or 40/43	1/3	8 1/2	98126800	98126828	98126802	98126830	
1400-65	2" 2-Bolt	1/3	8-1/2"	11 1/4	8 3/4	Magna3 50-80 F	GF 53	1/3	9 1/2	98126812	98126840	98126814	98126842	
1400-70	2" 2-Bolt	1/2	8-1/2"	11 1/4	8 3/4	Magna3 50-120 F	GF 53	3/4	11	99833473	99833476	99833475	99833477	
1400-70/3	3" 4-Bolt	1/2	8-1/2"	12	8 3/4	Magna3 50-150 F	GF 53	3/4	11	98126816	68126844	98126818	98126846	
2400-10	2-Bolt	1/10	6-3/8"	6 7/8	5	Magna3 32-120 F	GF 15/26	1/6	6 1/2	99833304		99833308		
2400-20	2-Bolt	1/6	6-3/8"	6 7/8	5	Magna3 32-120 F	GF 15/26	1/6	6 1/2	99833304		99833308		
2400-30	2-Bolt	1/6	8-1/2"	8	5 1/4	Magna3 32-120 F	GF 15/26	1/6	6 1/2	99833304		99833308		
2400-40	2-Bolt	1/6	8-1/2"	8	5 1/4	Magna3 32-120 F	GF 15/26	1/6	6 1/2	99833304		99833308		
2400-45	2-Bolt	1/3	6-3/8"	8 3/4	6 7/8	Magna3 32-120 F	GF 15/26	1/6	6 1/2	99833304		99833308		
2400-50	2-Bolt	1/2	6-3/8"	8 3/4	6 7/8	Magna3 40-180 F	GF 15/26 or 40/43	8 1/2	8 1/2	98126808	98126836	98126810	98126838	
2400-50/2	2" 2-Bolt	1/2	6-3/8"	8 3/4	6 7/8	Magna3 40-180 F	GF 15/26 or 40/43	8 1/2	8 1/2	98126808	98126836	98126810	98126838	
2400-60	2" 2-Bolt	1/6	8-1/2"	7 7/8	5 1/4	Magna3 40-80 F	GF 15/26 or 40/43	1/3	8 1/2	98126800	98126828	98126802	98126830	
2400-65	2" 2-Bolt	1/3	8-1/2"	9 7/8	7 1/4	Magna3 40-80 F	GF 15/26 or 40/43	1/3	8 1/2	98126800	98126828	98126802	98126830	
2400-70	2" 2-Bolt	1/2	8-1/2"	9 7/8	7 1/4	Magna3 40-120 F	GF 15/26 or 40/43	1/2	6 1/2	98126804	98126832	98126806	98126834	
2400-70/3	3" 4-Bolt	1/2	8-1/2"	10 1/2	7 1/4	Magna3 50-120 F	GF 53	3/4	11	99833473	99833476	99833475	99833477	

TACO 1400/2400 Series



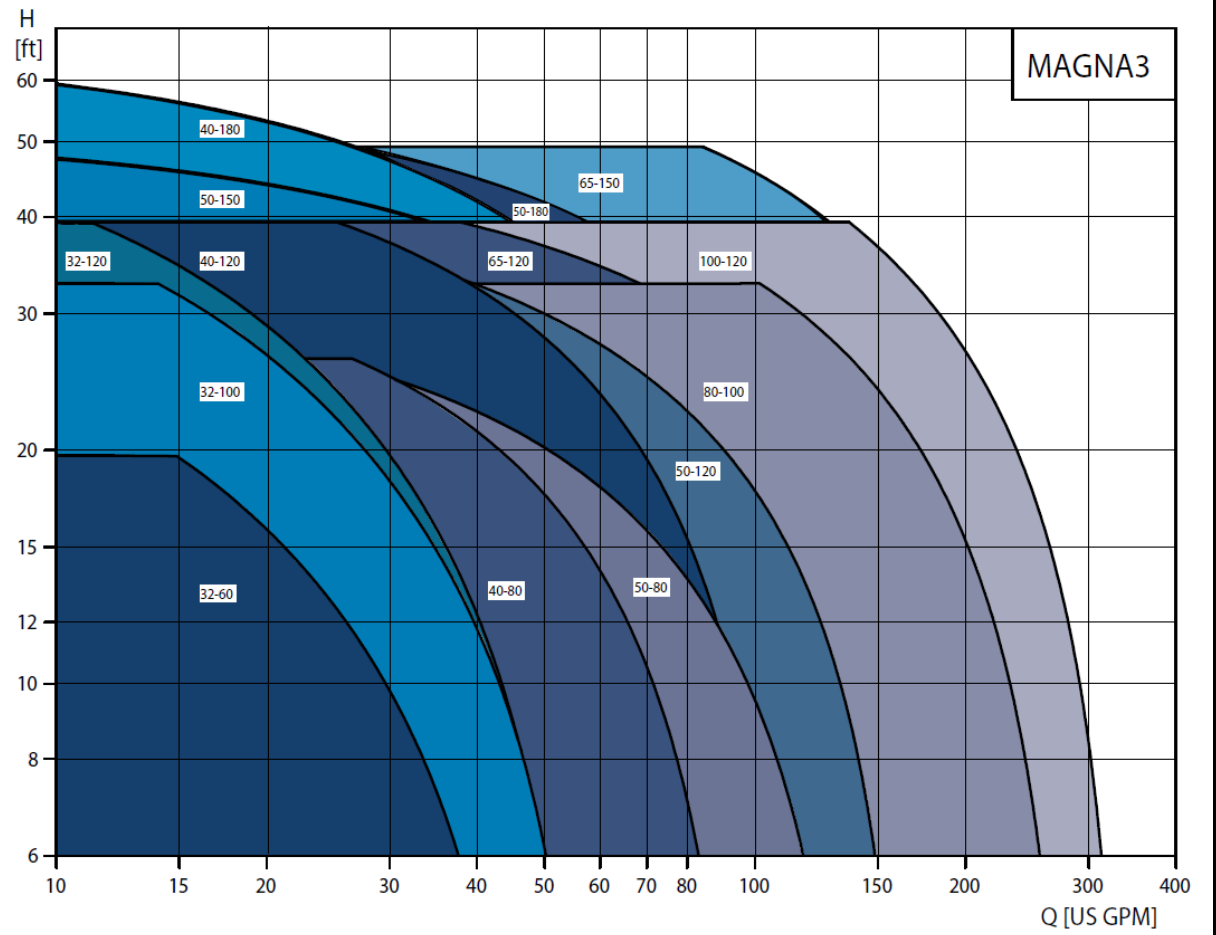
Taco 1400/2400 Series

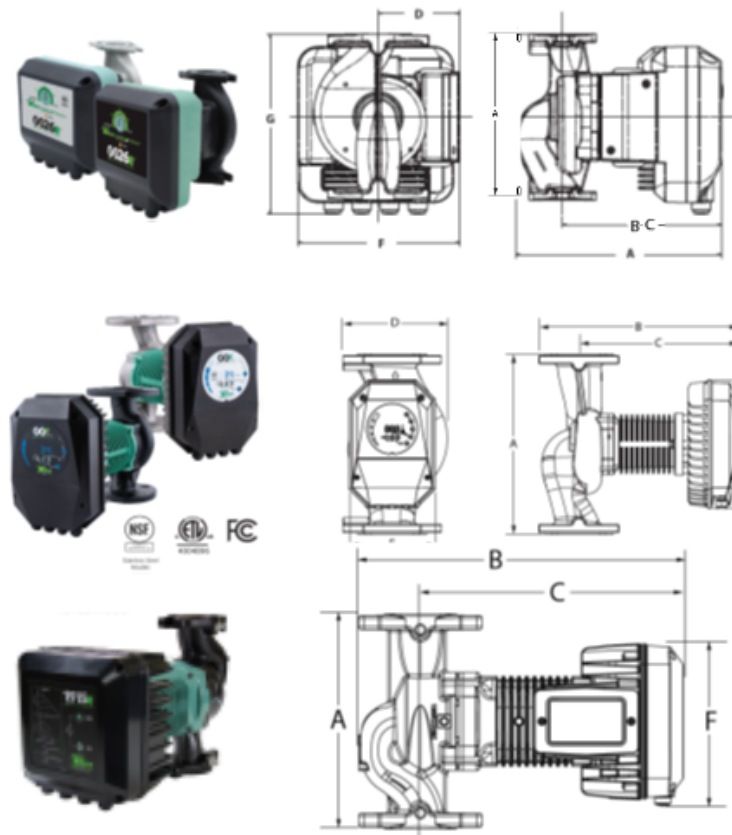


Grundfos Offering



Grundfos



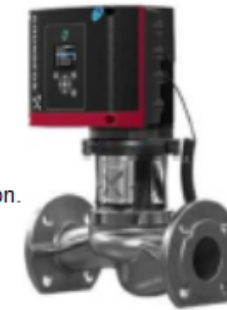


Industry Leading Technology
 Maintenance Free Wet-Rotor Construction
 Integrated Speed Control and Self-Sizing Logic
 High Efficiency ECM motor
 Whisper Quiet Operation



The Grundfos MAGNA3 model D circulator pumps are designed for circulating liquids in systems with variable flow requirements where you want to optimize the setting of the pump duty point, thus reducing energy costs. The pump features AUTOADAPT which automatically adjusts the pump to system demands for lowest energy consumption
 Lifecycle Savings - Reduces Energy Consumption by up to 85%
 Easy Installation - Pump "Right Sizes" for Most Applications
 Maintenance Free - Reliable for Decades of Efficient Operation

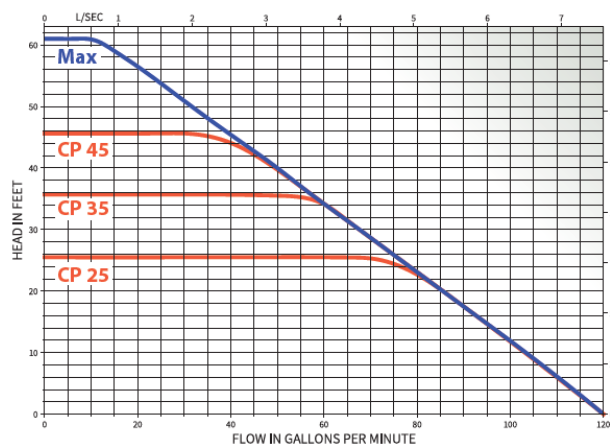
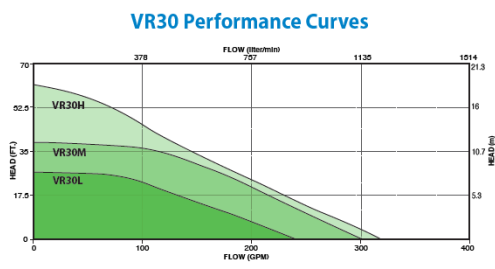
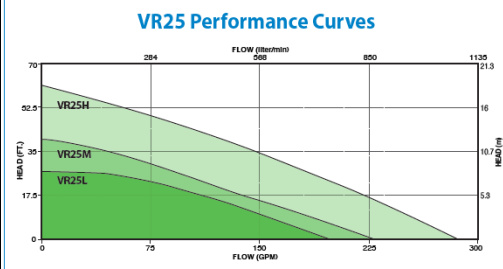
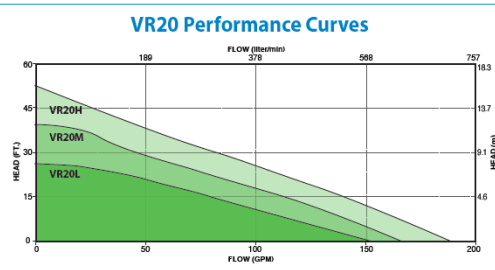
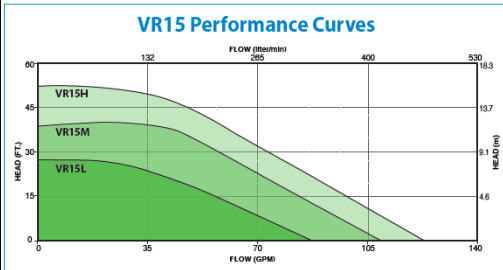
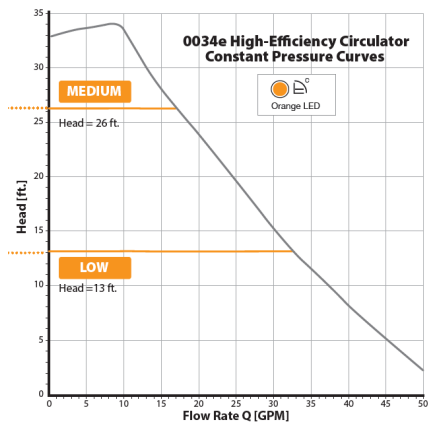
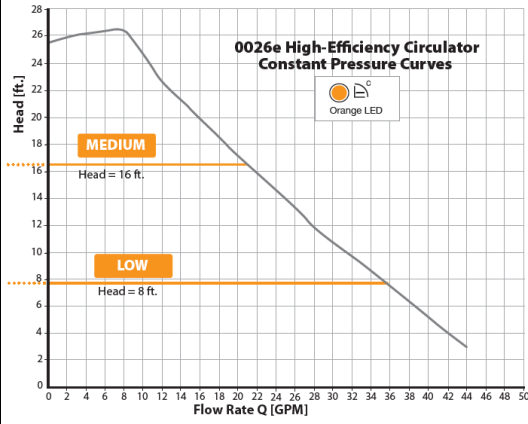
The Grundfos TPE3 joins the Grundfos commercial products line as not only the smartest in-line pump, but also one of the easiest to use. The TPE3 offers increased flow and pressure, as well as breakthrough efficiency, in a plug-and-pump design. With features that simplify installation, commissioning, operation and maintenance, the TPE3 is a logical choice for almost any commercial heating and cooling application.



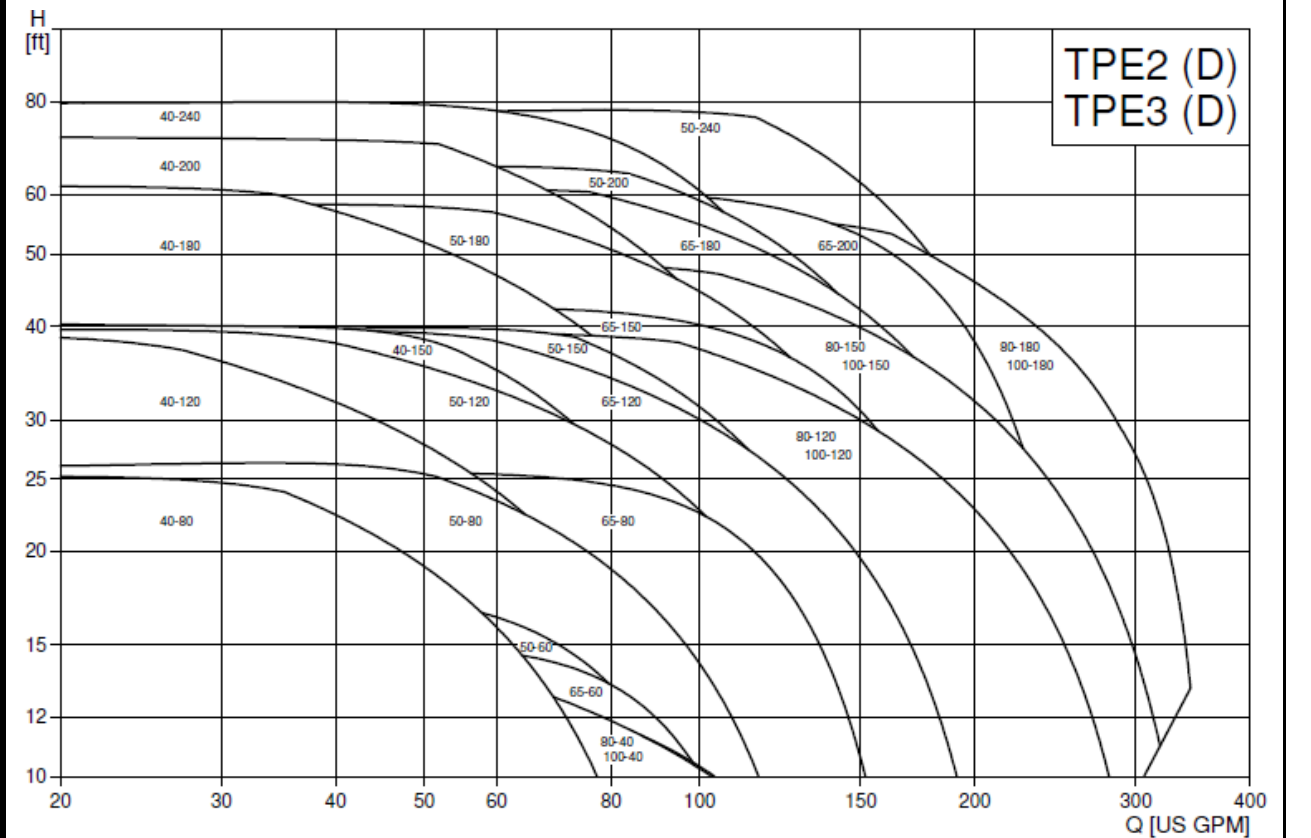
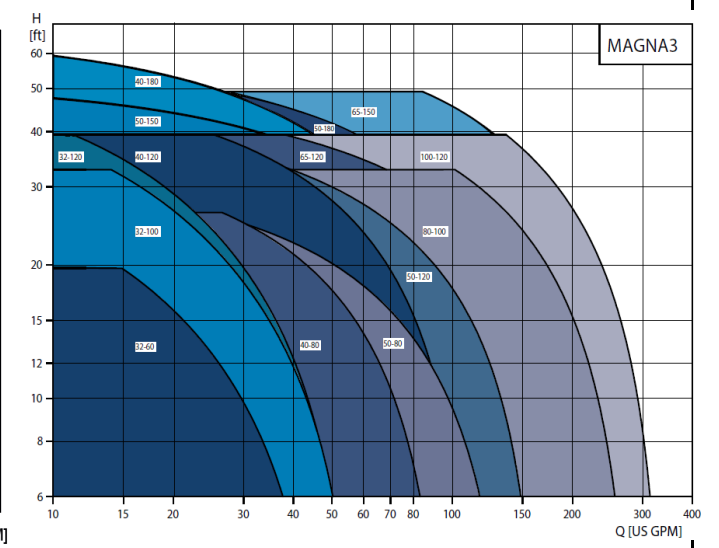
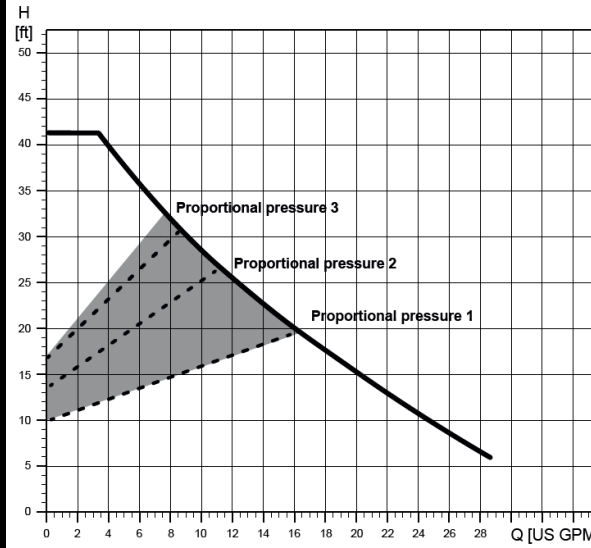
Taco 0026e, 0034e, 00VR and 1915e Series						Grundfos Alpha2 26-99, Magna3 and TPE 3				Grundfos Crossover Voltage Options			
Model	Flange Size in	Motor Power HP	Flange to Flange A	Pump Dimensions		Model	GF Flange Flange	Motor Power HP	Flange to Flange in	Cast Iron			
				B	C					1x115V Material #	1x208-230V Material #	3x200-240V Material #	3x440-480V Material #
0026e	2-Bolt		6 1/2	8	6 7/32	Alpha2 26-99 F	GF 15/26		6 1/2	99490916			
0034e	2-Bolt		6 1/2	8	6 7/32	Magna3 32-120 F	GF 15/26	1/6	6 1/2	99833304			
VR15 (L,M,H)	4-Bolt	0.9	9 7/8	15	11 11/16	Magna3 40-180 F	GF 15/26 or 40/43	3/4	8 1/2	98126808	98126836		
VR20 (L,M,H)	4-Bolt	1.1	11	15	11 11/16	Magna3 50-150 F	GF 53	3/4	11	98126816	98126844		
VR25 (L,M,H)	4-Bolt	2.1	13 3/8	16 1/8	12 1/2	TPE3 50-200	GF 53	2	11		98819595		98819630
VR30 (L,M,H)	4-Bolt	2.1	14 1/8	18 1/8	14 1/2	TPE3 80-180	GF 80	2	14 3/16			99836281	98819751
1915e	2-Bolt	2.1	10 7/16	15 9/16	12 11/16	Magna3 40-180 F	GF 15/26 or 40/43	3/4	8 1/2	98126808	98126836		
Taco 0026e, 00VR and 1915e Series						Grundfos Alpha2 26-99, Magna3 and TPE 3				Grundfos Crossover Voltage Options			
Model	Flange Size in	Motor Power HP	Flange to Flange A	Pump Dimensions		Model	GF Flange Flange	Motor Power HP	Flange to Flange in	Stainless Steel			
				B	C					1x115V Material #	1x208-230V Material #	3x200-240V Material #	3x440-480V Material #
0026e	2-Bolt		6 1/2	8	6 7/32	Magna3 32-60 F	GF 15/26	1/8	6 1/2	98126822			
0034e	2-Bolt		6 1/2	8	6 7/32	Magna3 32-120 F	GF 15/26	1/6	6 1/2	99833308			
VR15 (L,M,H)	4-Bolt	0.9	9 7/8	15	11 11/16	Magna3 40-180 F	GF 15/26 or 40/43	3/4	8 1/2	98126810	98126838		
VR20 (L,M,H)	4-Bolt	1.1	11	15	11 11/16	Magna3 50-150 F	GF 53	3/4	11	98126818	98126846		
VR25 (L,M,H)	4-Bolt	2.1	13 3/8	16 1/8	12 1/2	TPE3 50-200	GF 53	2	11		98819614		98819651
VR30 (L,M,H)	4-Bolt	2.1	14 1/8	18 1/8	14 1/2	TPE3 80-180	GF 80	2	14 3/16			99884119	98819911
1915e	2-Bolt	2.1	10 7/16	15 9/16	12 11/16	Magna3 40-180 F	GF 15/26 or 40/43	3/4	8 1/2	98126810	98126838		

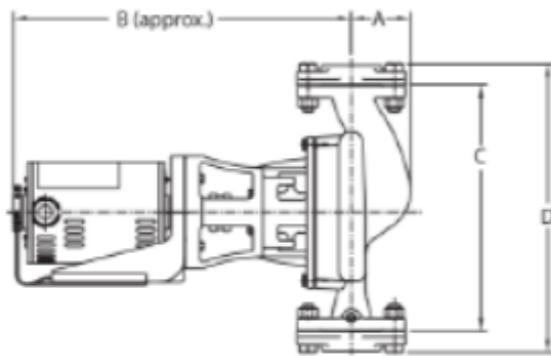


Taco 0026e, 0034e, 00VR and 1915e Series



Grundfos Alpha 26-99, Magna3 and TPE3



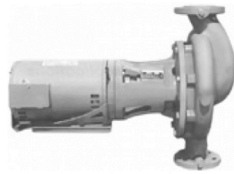


The Grundfos MAGNA3 model D circulator pumps are designed for circulating liquids in systems with variable flow requirements where you want to optimize the setting of the pump duty point, thus reducing energy costs. The pump features AUTOADAPT which automatically adjusts the pump to system demands for lowest energy consumption
 Lifecycle Savings - Reduces Energy Consumption by up to 85%
 Easy Installation - Pump "Right Sizes" for Most Applications
 Maintenance Free - Reliable for Decade

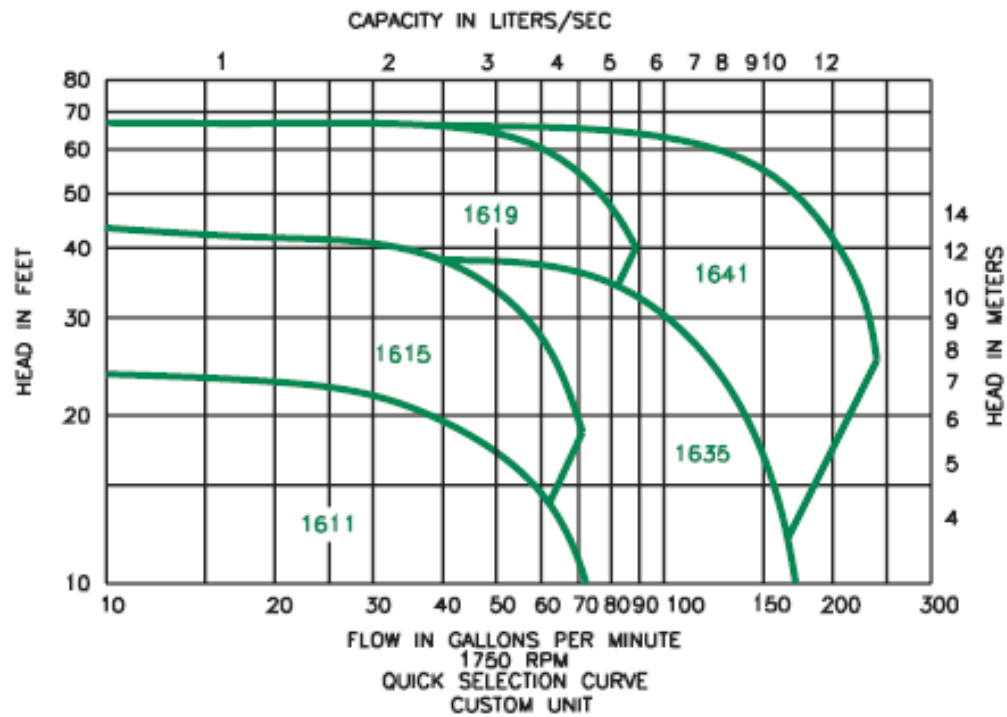
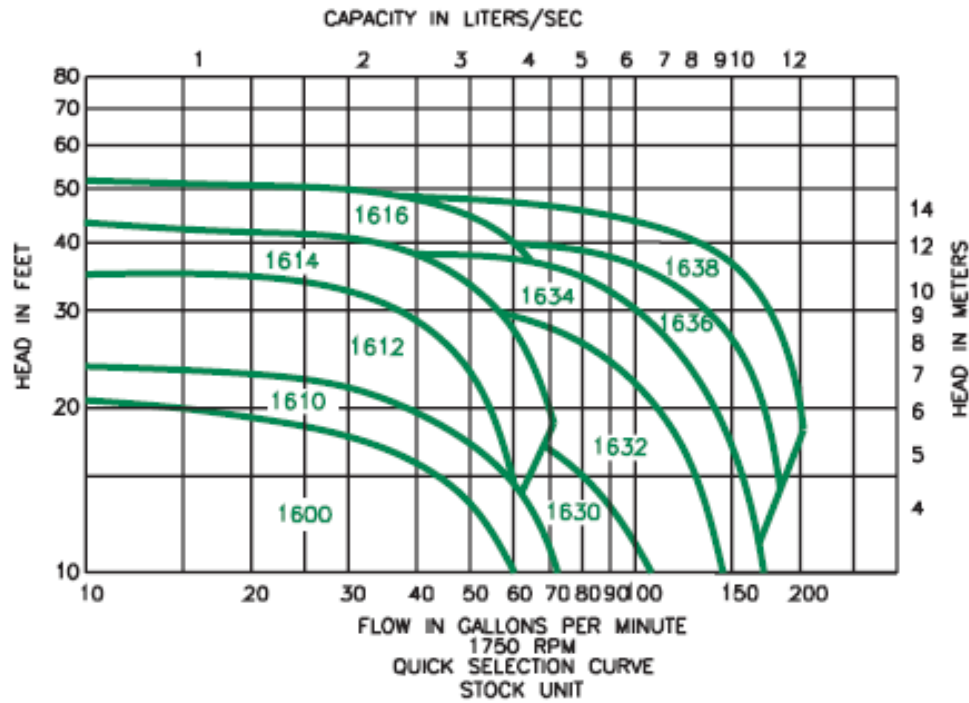


The Grundfos TPE3 joins the Grundfos commercial products line as not only the smartest in-line pump, but also one of the easiest to use. The TPE3 offers increased flow and pressure, as well as breakthrough efficiency, in a plug-and-pump design. With features that simplify installation, commissioning, operation and maintenance, the TPE3 is a logical choice for almost any commercial heating and cooling application.

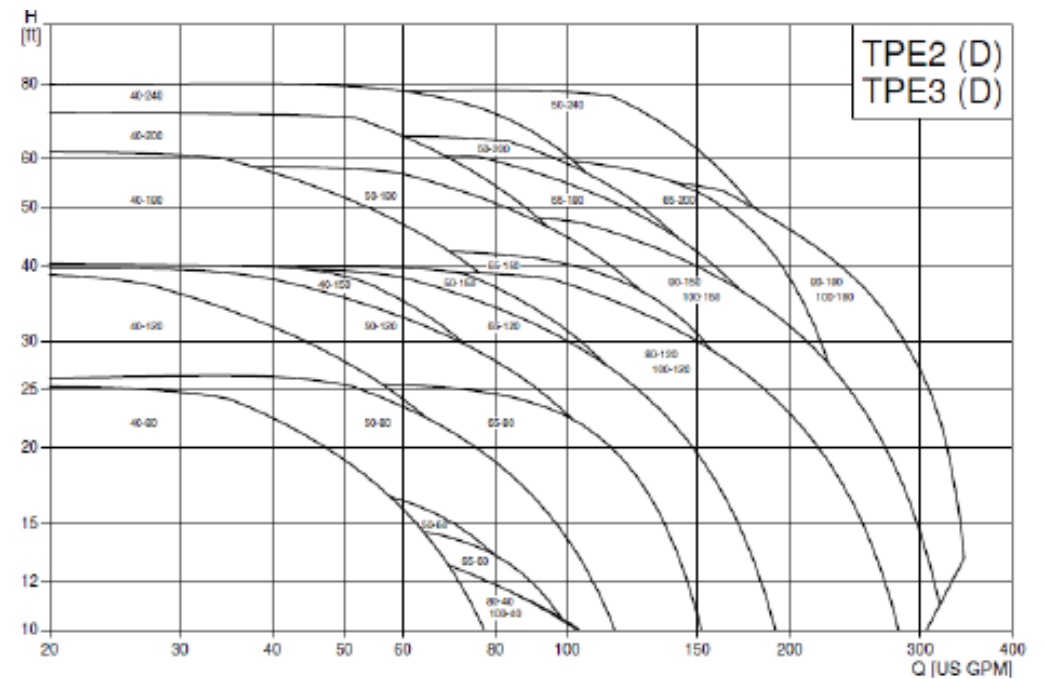
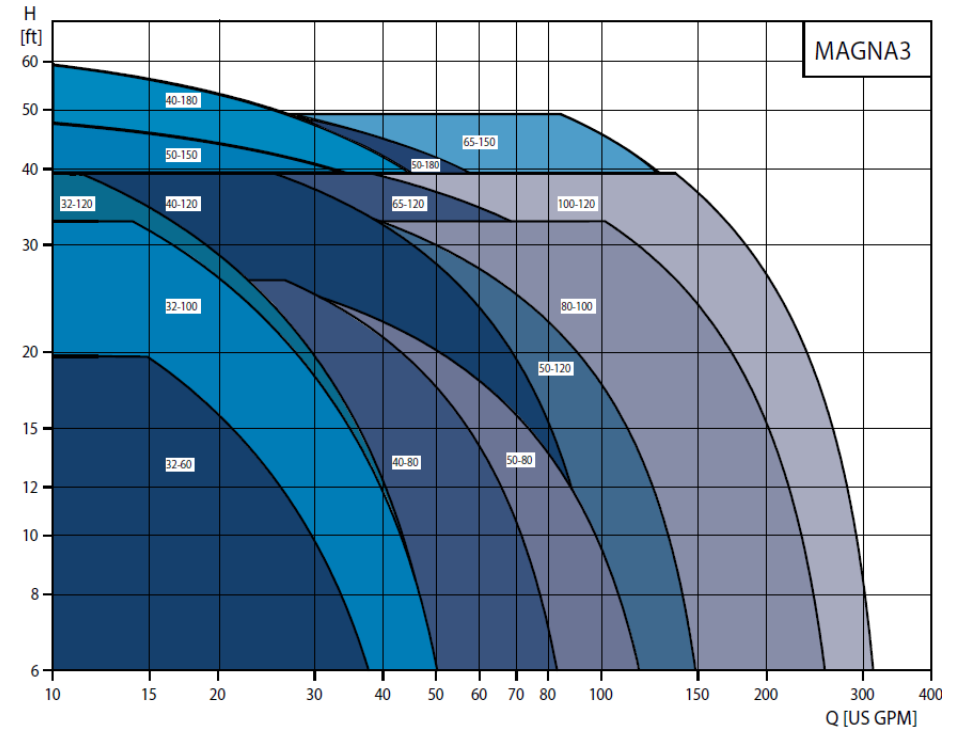
Taco 1600 Series							Grundfos				Grundfos Crossover Voltage Options			
Model	Impeller Diameter in	Flange Size in	Motor Power HP	Pump Dimensions		Flange to Flange C	Magna3 Model	GF Flange Flange	Motor Power HP	Flange to Flange in	Cast Iron		Stainless Steel	
				A	B						1x115V Material #	1x208-230V Material #	1x115V Material #	1x208-230V Material #
Standard Models														
1600	4.5	1 1/2	1/4	3	16	10 1/4	Magna3 32-120 F	GF 15/26	1/6	6 1/2	99833304		99833308	
1610	4.75	1 1/2	1/3	3	16	10 1/4	Magna3 40-80 F	GF 15/26 or 40/43	1/3	8 1/2	98126800	98126828	98126802	98126830
1612	5.75	1 1/2	1/2	3 1/8	18 1/2	13 1/2	Magna3 40-120 F	GF 15/26 or 40/43	1/2	8 1/2	98126804	98126832	98126806	98126834
1614	6.35	1 1/2	3/4	3 1/8	19	13 1/2	Magna3 40-180 F	GF 15/26 or 40/43	3/4	8 1/2	98126808	98126836	98126810	98126838
1616	7.1	2	1	3	19	14 1/2	Magna3 50-180 F	GF 53	1	11	99833480	99833483	99833481	99833485
1630	4.9	2	1/2	3 1/2	18	13 1/2	Magna3 50-80 F	GF 53	1/3	9 1/2	98126812	98126840	98126814	98126842
1632	5.65	2	3/4	3 1/2	18 1/2	13 1/2	Magna3 50-150 F	GF 53	3/4	11	98126816	68126844	98126818	98126846
1634	6.15	2	1	3 1/2	19	13 1/2	Magna3 65-150 F	GF 65	1 1/2	13 7/16		98126852		98126854
1636	6.4	2	1 1/2	3 5/8	21	16 1/2	Magna3 65-150 F	GF 65	1 1/2	13 7/16		98126852		98126854
1638	6.9	2	2	3 5/8	23	16 1/2	Magna3 65-150 F	GF 65	1 1/2	13 7/16		98126852		98126854
Custom Models														
1611	4	1 1/2	1/4	3	16	10 1/4	Magna3 40-80 F	GF 15/26 or 40/43	1/3	8 1/2	98126800	98126828	98126802	98126830
1611	4.25	1 1/2	1/3	3	16	10 1/4	Magna3 40-80 F	GF 15/26 or 40/43	1/3	8 1/2	98126800	98126828	98126802	98126830
1611	4.5	1 1/2	1/3	3	16	10 1/4	Magna3 40-80 F	GF 15/26 or 40/43	1/3	8 1/2	98126800	98126828	98126802	98126830
1611	4.75	1 1/2	1/2	3	17	10 1/4	Magna3 40-80 F	GF 15/26 or 40/43	1/3	8 1/2	98126800	98126828	98126802	98126830
1615	4.7	1 1/2	1/3	3 1/8	18	13 1/2	Magna3 40-80 F	GF 15/26 or 40/43	1/3	8 1/2	98126800	98126828	98126802	98126830
1615	5.3	1 1/2	1/2	3 1/8	18 1/2	13 1/2	Magna3 40-120 F	GF 15/26 or 40/43	1/2	8 1/2	98126804	98126832	98126806	98126834
1615	5.75	1 1/2	3/4	3 1/8	19	13 1/2	Magna3 40-120 F	GF 15/26 or 40/43	1/2	8 1/2	98126804	98126832	98126806	98126834
1615	6.35	1 1/2	1	3 1/8	19 1/2	13 1/2	Magna3 40-180 F	GF 15/26 or 40/43	3/4	8 1/2	98126808	98126836	98126810	98126838
1619	6.2	2	3/4	3	18 1/2	14 1/2	Magna3 65-150 F	GF 65	1 1/2	13 7/16		98126852		98126854
1635	4.1	2	1/2	3 1/2	18	13 1/2	Magna3 40-80 F	GF 15/26 or 40/43	1/3	8 1/2	98126800	98126828	98126802	98126830
1635	4.9	2	3/4	3 1/2	18 1/2	13 1/2	Magna3 50-80 F	GF 53	1/3	9 1/2	98126812	98126840	98126814	98126842
1635	5.65	2	1	3 1/2	19	13 1/2	Magna3 50-150 F	GF 53	3/4	11	98126816	68126844	98126818	98126846
1635	6.15	2	1 1/2	3 1/2	21	13 1/2	Magna3 65-150 F	GF 65	1 1/2	13 7/16		98126852		98126854
Custom Models											Cast Iron			
							TPE3 Model				1x115V	1x208-230V	3x200-240V	3x440-480V
1619	6.6	2	1	3	19	14 1/2	TPE3 40-200	GF 40/43	1 1/2	8 1/2		98819503		98819540
1619	7.1	2	1 1/2	3	21	14 1/2	TPE3 40-200	GF 40/43	1 1/2	8 1/2		98819503		98819540
1641	5.9	2	1 1/2	3 5/8	21	16 1/2	TPE3 80-180	GF 80	3	14 3/16			99836281	98819751
1641	6.4	2	2	3 5/8	23	16 1/2	TPE3 80-180	GF 80	3	14 3/16			99836281	98819751
1641	6.9	2	3	3 5/8	24	16 1/2	TPE3 80-180	GF 80	3	14 3/16			99836281	98819751

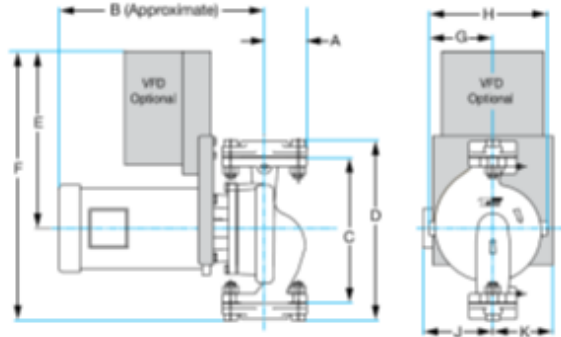


Taco 1600 Series



Grundfos





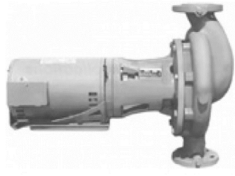
The Grundfos MAGNA3 model D circulator pumps are designed for circulating liquids in systems with variable flow requirements where you want to optimize the setting of the pump duty point, thus reducing energy costs. The pump features AUTOADAPT which automatically adjusts the pump to system demands for lowest energy consumption
 Lifecycle Savings - Reduces Energy Consumption by up to 85%
 Easy Installation - Pump "Right Sizes" for Most Applications
 Maintenance Free - Reliable for Decade



The Grundfos TPE3 joins the Grundfos commercial products line as not only the smartest in-line pump, but also one of the easiest to use. The TPE3 offers increased flow and pressure, as well as breakthrough efficiency, in a plug-and-pump design. With features that simplify installation, commissioning, operation and maintenance, the TPE3 is a logical choice for almost any commercial heating and cooling application.

Taco 1900 Series							Grundfos				Grundfos Crossover Voltage Options				
Motor Speed	Flange Size	Motor Power	Pump Dimensions		Flange to Flange	Magna3	GF Flange	Motor Power	Flange to Flange	Cast Iron		Stainless Steel			
Model	RPM	in	HP	A	B	C	Model	Flange	HP	in	1x115V	1x208-230V	1x115V	1x208-230V	
											Material #	Material #	Material #	Material #	
Standard Models, 1760 Motor Speed															
1911	1760	1 1/2	1	3	15	10 1/4	Magna3 40-80 F	GF 15/26 or 40/43	1/3	8 1/2	98126800	98126828	98126802	98126830	
1915	1760	1 1/2	1 1/2	3 1/8	16 1/2	13 1/2	Magna3 40-180 F	GF 15/26 or 40/43	3/4	8 1/2	98126808	98126836	98126810	98126838	
1919	1760	2	2	3	17 3/4	14 1/2	See TPE3 Below								
1935	1760	2	1 1/2	3 1/2	19	15 3/4	Magna3 65-150 F	GF 65	1 1/2	13 7/16		98126852		98126854	
1941	1760	2	3	3 5/8	24	16 1/2	See TPE3 Below								
Standard Models, 3500 Motor Speed											Cast Iron				
1911	3500	1 1/2	5	3	16 1/2	10 1/4	CRE-DP 32-1		5	12 5/8	1x115V	1x208-230V	3x200-240V	3x440-480V	
1915	3500	1 1/2	7 1/2	3 1/8	17	13 1/2	CRE-DP 32-2-1		7 1/2	12 5/8			99449300	91150385	
1935	3500	2	7 1/2	3 1/2	17	13 1/2	CRE-DP 45-1		10	14 3/8			99449302	91150387	
Standard Models												Cast Iron			
1919	1760	2	2	3	17 3/4	14 1/2	TPE3 Model				1x115V	1x208-230V	3x200-240V	3x440-480V	
1919	1760	2	2	3	17 3/4	14 1/2	TPE3 40-200	GF 40/43	1 1/2	8 1/2		98819503		98819540	
1941	1760	2	3	3 5/8	24	16 1/2	TPE3 50-240	GF 53	3	11				98819631	

TACO 1600 Series

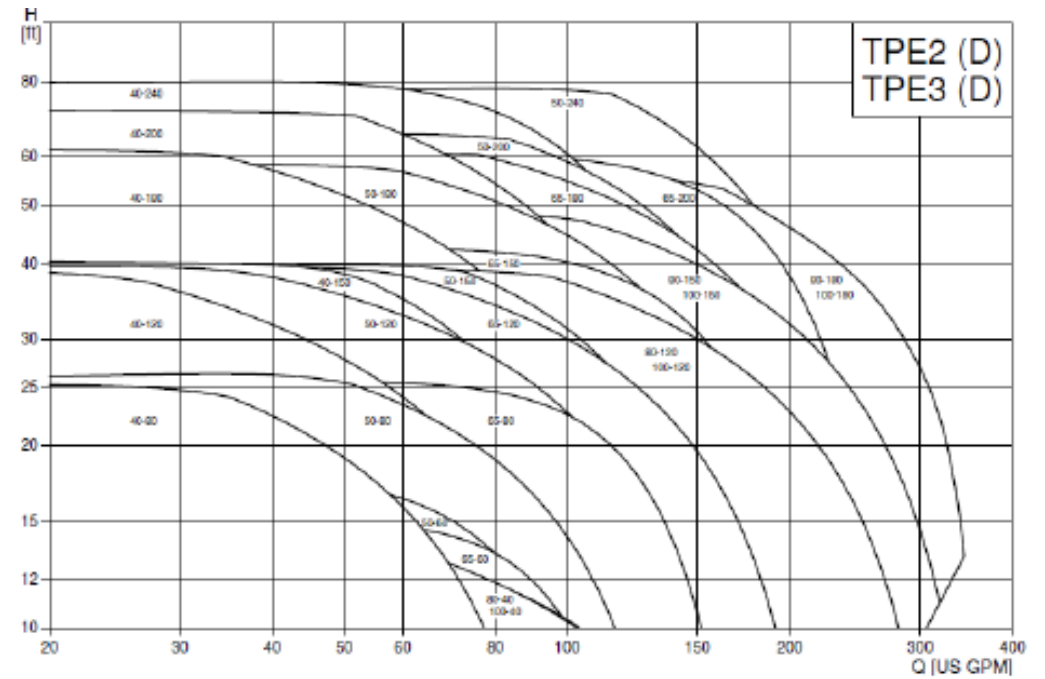
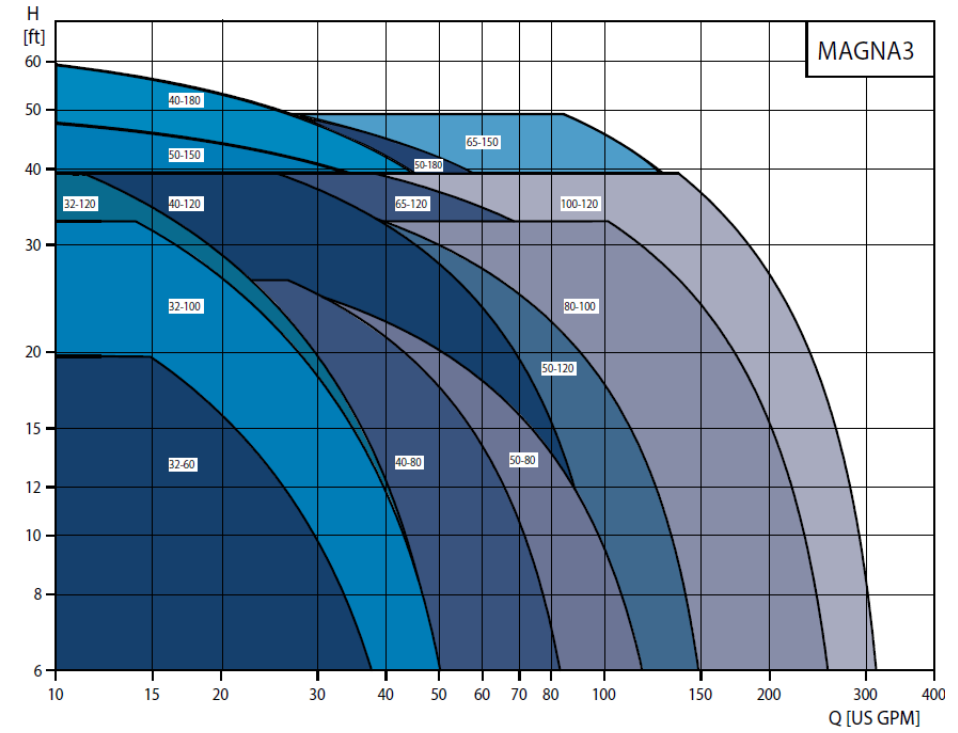
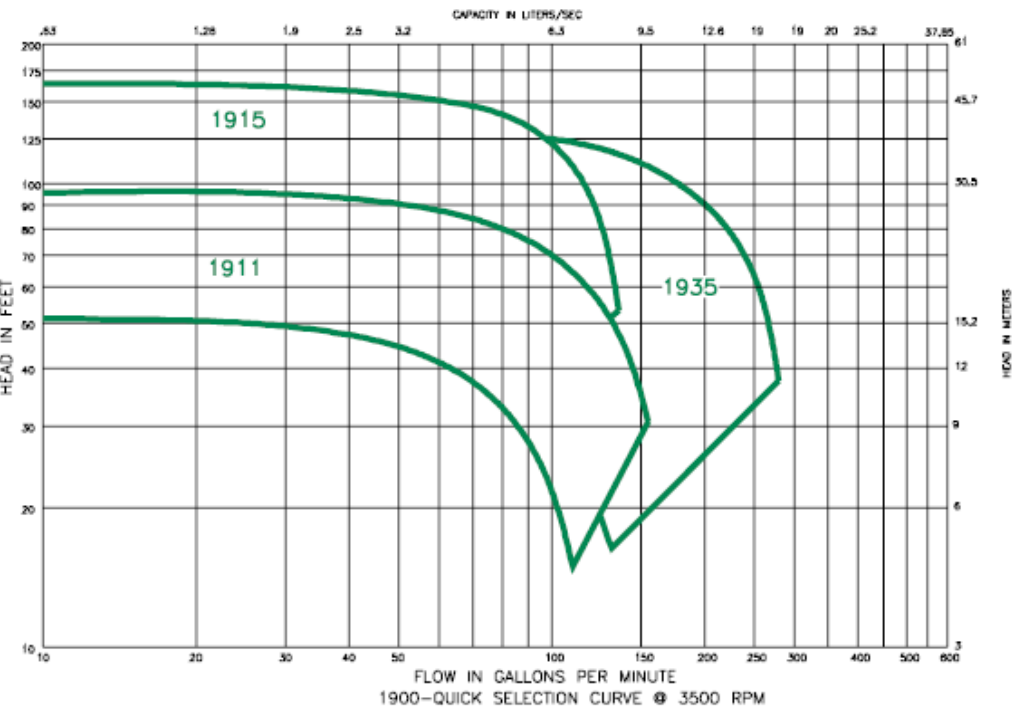
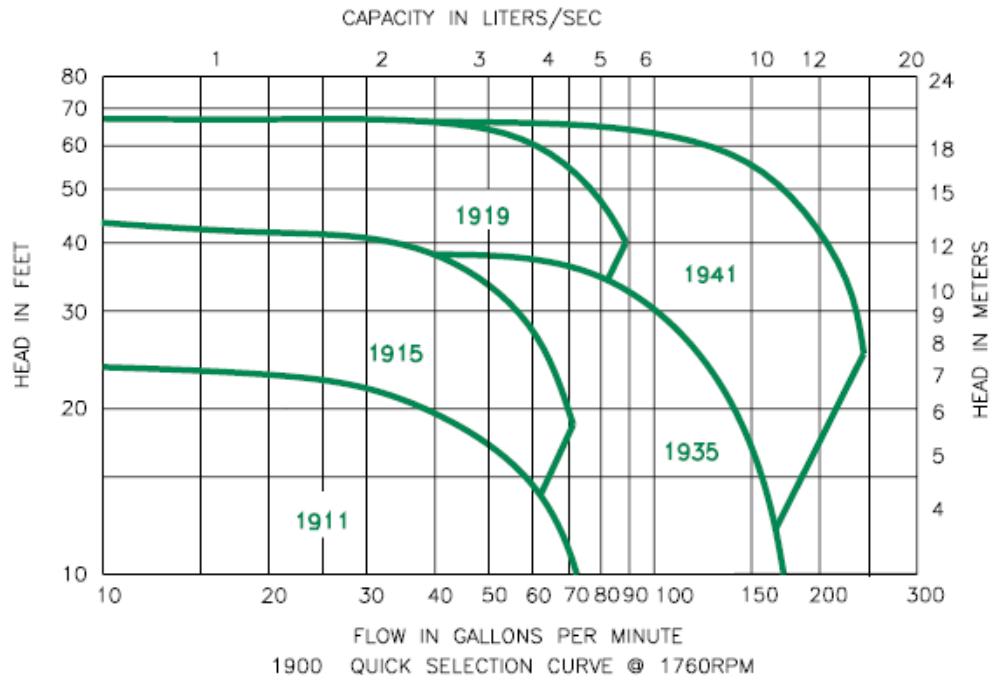


Grundfos Offering

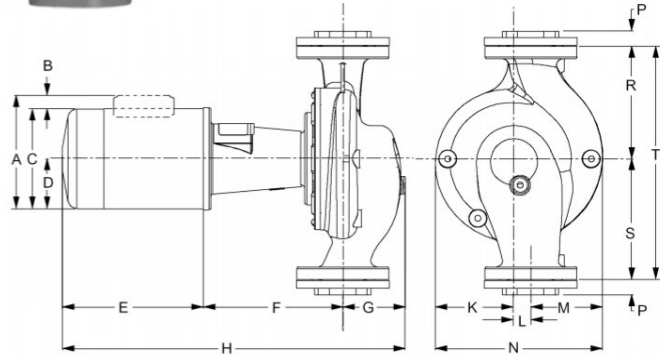
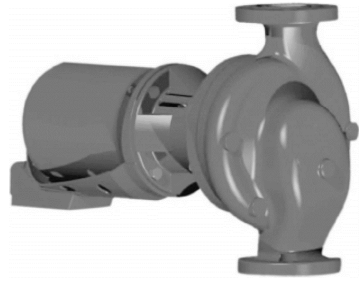


Taco 1900 Series

Grundfos



Standard B&G 60 Series to Grundfos Efficient Option



Industry Leading Technology
 Integrated Speed Control and Self-Sizing Logic
 Built-in motor protection and Start/Stop contact
 High Efficiency ECM motor
 Whisper Quiet Operation



Additional Features:

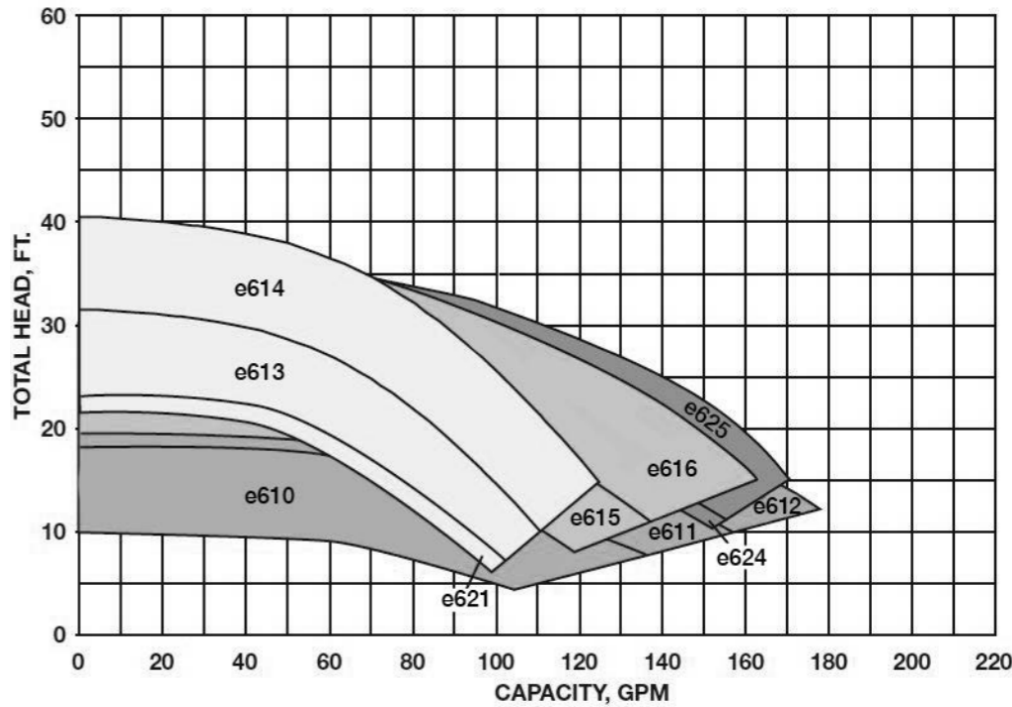
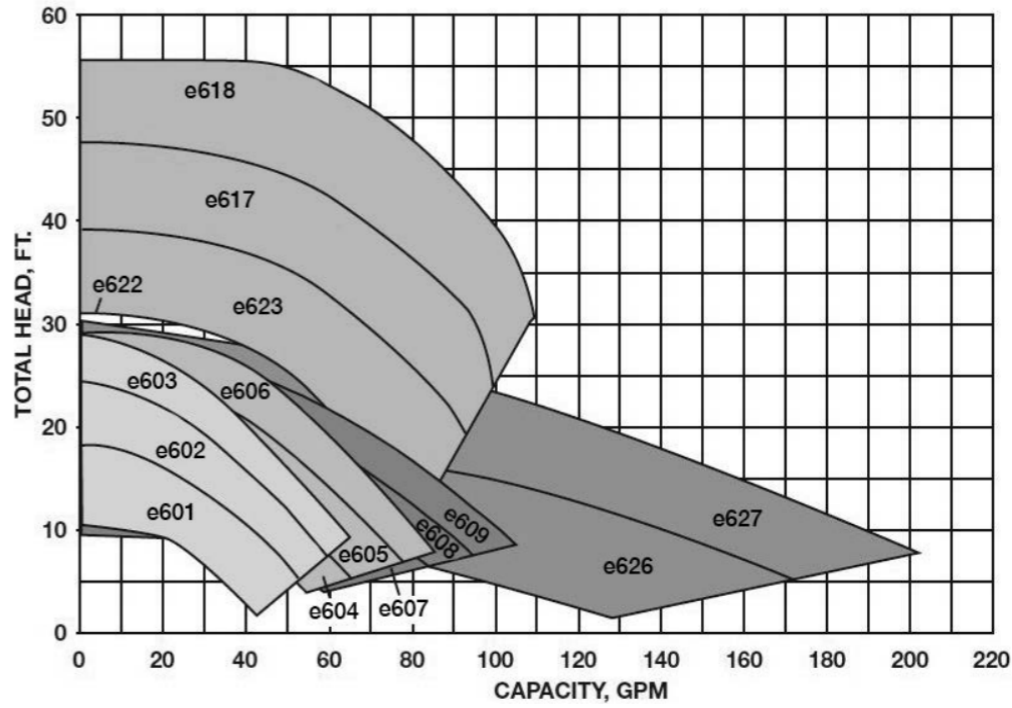
- Lifecycle Savings - Reduces Energy Consumption by up to 85%
- Easy Installation - Pump "Right Sizes" for Most Applications
- Low Maintenance - Reliable for Decades of Efficient Operation
- In-Stock Locally - Standard Shelf Product
- Compact - Makes Replacement Easy with a Spool Piece

B&G 60 Series								Grundfos				Grundfos crossover voltage options			
Model	Size	Impeller Diameter in	Flange Size in	Motor Power HP	Pump Dimensions			MAGNA3 / TPE3 Model	GF Flange	Motor Power HP	Flange to Flange in	Cast Iron		Stainless Steel	
					H	E	T					1x115V Material #	1x230V Material #	1x115V Material #	1x230V Material #
601	1x5.25	4.375	1	1/4	19 7/8	10	11	Magna3 32-100 F	GF 15/26	1/6	6 1/2	98126824	98126824	98126826	98126826
602	1x5.25	4.84	1	1/3	19 7/8	10	11	Magna3 40-80 F	GF 15/26 or 40/43	1/3	8 1/2	98126800	98126828	98126802	98126830
603	1x5.25	5.25	1	1/2	21 1/8	11	11	Magna3 40-120 F	GF 15/26 or 40/43	1/2	8 1/2	98126804	98126832	98126806	98126834
604	1.25x5.25	4.38	1 1/4	1/4	19 7/8	10	11	Magna3 40-80 F	GF 15/26 or 40/43	1/3	8 1/2	98126800	98126828	98126802	98126830
605	1.25x5.25	4.84	1 1/4	1/3	19 7/8	10	11	Magna3 40-80 F	GF 15/26 or 40/43	1/3	8 1/2	98126800	98126828	98126802	98126830
606	1.25x5.25	5.25	1 1/4	1/2	21 1/8	11	11	Magna3 40-120 F	GF 15/26 or 40/43	1/2	8 1/2	98126804	98126832	98126806	98126834
607	1.5x5.25	3.75	1 1/2	1/4	20 3/16	10	11 1/2	Magna3 40-80 F	GF 15/26 or 40/43	1/3	8 1/2	98126800	98126828	98126802	98126830
607	1.5x5.25	4.38	1 1/2	1/3	20 7/16	10	11 1/2	Magna3 50-80 F	GF 53	1/3	9 1/2	98126812	98126840	98126814	98126842
608	1.5x5.25	4.94	1 1/2	1/2	20 7/16	11	11 1/2	Magna3 50-80 F	GF 53	1/3	9 1/2	98126812	98126840	98126814	98126842
609	1.5x5.25	5.25	1 1/2	3/4	20 7/16	11	11 1/2	Magna3 50-150 F	GF 53	3/4	11	98126816	68126844	98126818	98126846
610	2x5.25	3.25	2	1/3	20 11/16	10	11 1/2	Magna3 50-80 F	GF 53	1/3	9 1/2	98126812	98126840	98126814	98126842
610	2x5.25	4.12	2	1/2	21 11/16	11	11 1/2	Magna3 50-150 F	GF 53	3/4	11	98126816	68126844	98126818	98126846
611	2x5.25	4.75	2	3/4	21 11/16	11	11 1/2	Magna3 50-150 F	GF 53	3/4	11	98126816	68126844	98126818	98126846
612	2X5.25	5.25	2	1	23 5/8	11	11 1/2	Magna3 65-120 F	GF 53	1	13 7/16	98124696	98126848	98124702	98126850
613	1.5X6.25	5.75	1 1/2	3/4	21 5/16	11	13 1/2	Magna3 50-150 F	GF 53	3/4	11	98126816	68126844	98126818	98126846
614	1.5X6.25	6.25	1 1/2	1	21 5/16	11	13 1/2	Magna3 65-150 F	GF 65	1 1/2	13 7/16		98126852		98126854
615	2X6.25	5.62	2	1/2 or 3/4	21 7/16	11	13 1/2	Magna3 50-150 F	GF 53	3/4	11	98126816	68126844	98126818	98126846
616	2X6.25	6.22	2	1	21 7/16	9 3/4	13 1/2	Magna3 65-120 F	GF 53	1	13 7/16	98124696	98126848	98124702	98126850
617	1.5X7	6.5	1 1/2	1 1/2	21 5/8	10 3/4	13 1/2	Magna3 65-150 F	GF 65	1 1/2	13 7/16		98126852		98126854
618	1.5X7	7	1 1/2	2	21 3/8	10 3/4	13 1/2	TPE3 50-180 F	125# ANSI	1 1/2	11		99224017		99224033
619	2X7	6.5	2	2	21 3/8	10	14	Magna3 65-150 F	GF 65	1 1/2	13 7/16	98126816	68126844	98126818	98126846
620	2X7	7	2	3	22 1/4	11 3/8	14	TPE3 50-200 F	125# ANSI	2	11		99224020		99224035
621	1.5x6.25	4.88	1 1/2	1/2	21 5/16	11	13 1/2	Magna3 50-80 F	GF 53	1/3	9 1/2	98126812	98126840	98126814	98126842
622	1.5X7	5.5	1 1/2	3/4	23 5/8	11	13 1/2	Magna3 40-120 F	GF 15/26 or 40/43	1/2	8 1/2	98126804	98126832	98126806	98126834
623	1.5X7	6	1 1/2	1	23 5/8	11	13 1/2	Magna3 40-180 F	GF 15/26 or 40/43	3/4	8 1/2	98126808	98126836	98126810	98126838
624	2X7	5.69	2	1	23 7/8	9 3/4	14	Magna3 65-120 F	GF 53	1	13 7/16	98124696	98126848	98124702	98126850
625	2X7	6.12	2	1 1/2	21 3/8	10 3/4	14	Magna3 65-150 F	GF 65	1 1/2	13 7/16	98126816	68126844	98126818	98126846
626	3x5.25	3.25	3	1/3	20 7/16	10	12	Magna3 50-80 F	GF 53	1/3	9 1/2	98126812	98126840	98126814	98126842
626	3x5.25	3.75	3	1/2	20 7/16	11	12	Magna3 50-150 F	GF 53	3/4	11	98126816	68126844	98126818	98126846
626	3x5.25	4.375	3	3/4	20 7/16	11	12	Magna3 65-120 F	GF 53	1	13 7/16	98124696	98126848	98124702	98126850
627	3x5.25	4.75	3	1	23 3/8	11	12	Magna3 65-120 F	GF 53	1	13 7/16	98124696	98126848	98124702	98126850
627	3x5.25	5.25	3	1 1/2	21 1/8	10 3/4	12	Magna3 65-120 F	GF 53	1	13 7/16	98124696	98126848	98124702	98126850

B&G 60 Series



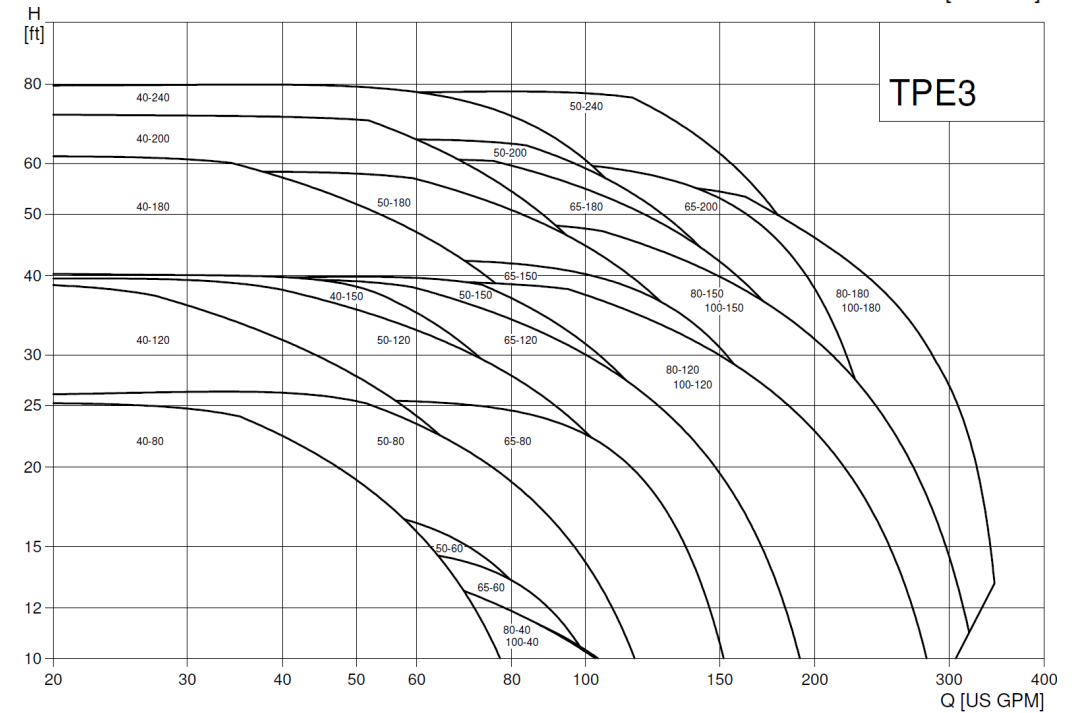
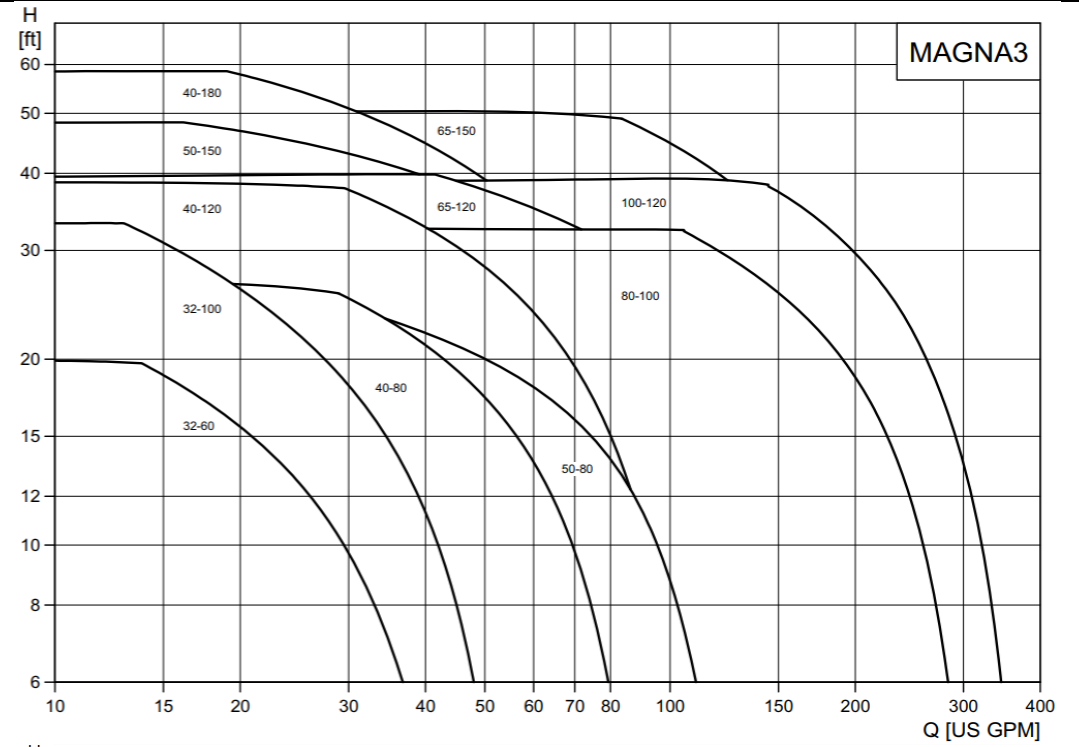
B&G 60 Series



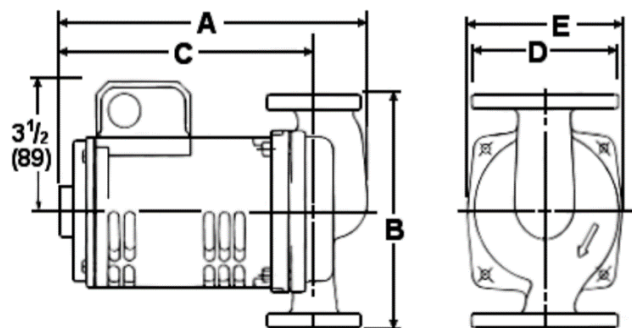
Grundfos Offering



Grundfos



Standard B&G PL Series to Grundfos Efficient Option



Industry Leading Technology
 Maintenance Free Wet-Rotor Construction
 Integrated Speed Control and Self-Sizing Logic
 Built-in motor protection and Start/Stop contact
 High Efficiency ECM motor
 Whisper Quiet Operation



Additional Features:

- Lifecycle Savings - Reduces Energy Consumption by up to 85%
- Easy Installation - Pump "Right Sizes" for Most Applications
- Maintenance Free - Reliable for Decades of Efficient Operation
- In-Stock Locally - Standard Shelf Product
- Compact - Makes Replacement Easy with a Spool Piece

B&G PL Series						Grundfos				Grundfos crossover voltage options			
Model	Flange Size in	Motor Power HP	Pump Dimensions			MAGNA3 Model	GF Flange Flange	Motor Power HP	Flange to Flange in	Cast Iron		Stainless Steel	
			A	B	C					1x115V Material #	1x230V Material #	1x115V Material #	1x230V Material #
PL-30	1 1/4	1/12	8 5/8	6 3/8	7 1/8	Magna3 32-60 F	GF 15/26	1/8	6 1/2	98126820	98126820	98126822	98126822
PL-36	1 1/4	1/6	8 5/8	6 3/8	7 1/8	Magna3 32-100 F	GF 15/26	1/6	6 1/2	98126824	98126824	98126826	98126826
PL-45	1 1/4	1/6	9 1/8	8 1/2	7 1/4	Magna3 32-100 F	GF 15/26	1/6	6 1/2	98126824	98126824	98126826	98126826
PL-50	1 1/4	1/6	9 1/8	8 1/2	7 1/4	Magna3 32-100 F	GF 15/26	1/6	6 1/2	98126824	98126824	98126826	98126826
PL-55	1 1/4	2/5	9 9/16	6 3/8	7 15/16	Magna3 40-120 F	GF 15/26 or 40/43	1/2	8 1/2	98126804	98126832	98126806	98126834
PL-75	2	1/6	9 15/16	8 1/2	7 3/8	Magna3 40-80 F	GF 15/26 or 40/43	1/3	8 1/2	98126800	98126828	98126802	98126830
PL-130/2	2	2/5	10 3/4	8 1/2	8 1/4	Magna3 50-80 F	GF 53	1/2	9 1/2	98126812	98126840	98126814	98126842
PL-130/3	3	2/5	10 3/4	8 1/2	8 1/4	Magna3 50-80 F	GF 53	1/2	9 1/2	98126812	98126840	98126814	98126842

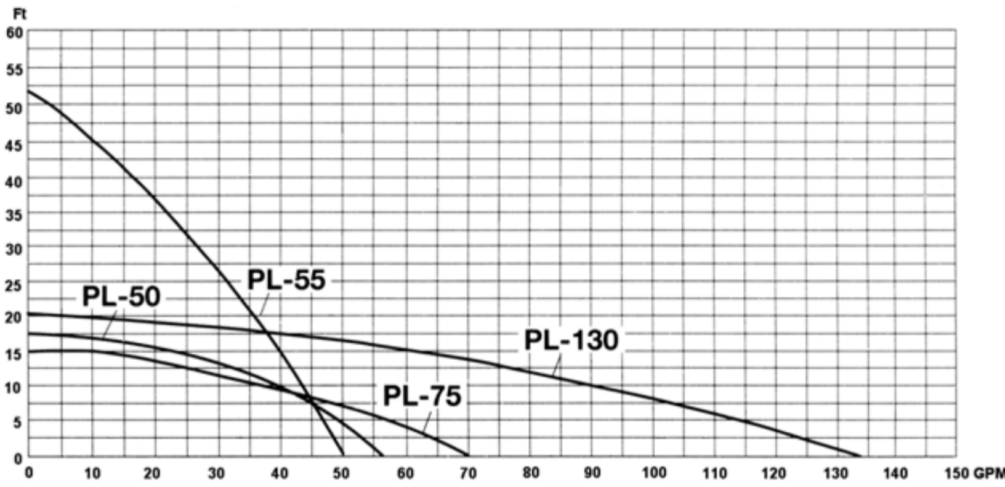
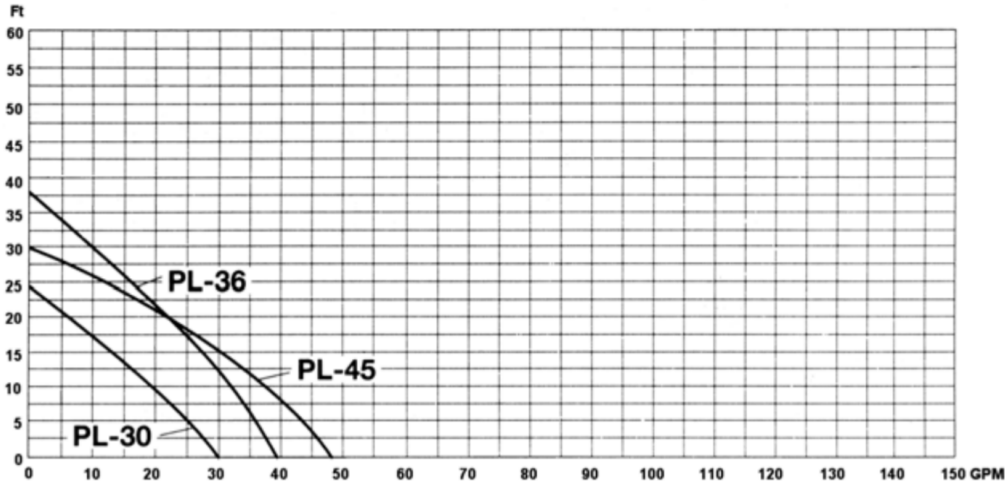
B&G PL Series



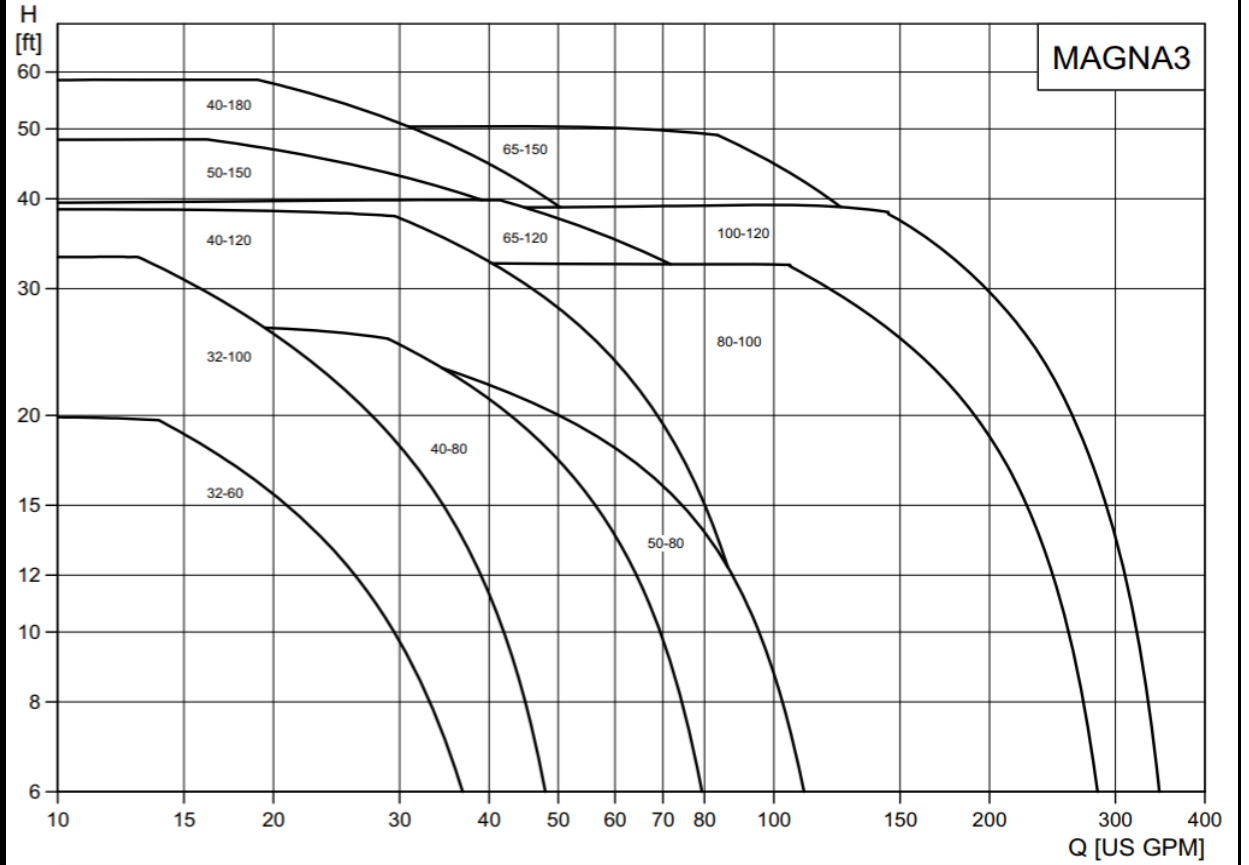
Grundfos Offering



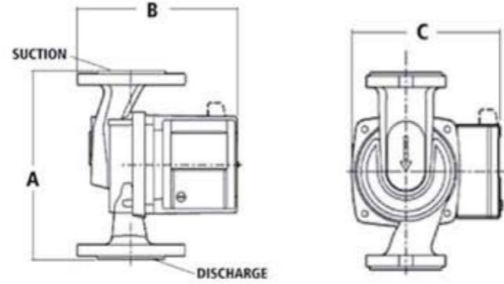
B&G PL Series



Grundfos



B&G NRF Series to Grundfos Efficient Option



Industry Leading Technology
 Maintenance Free Wet-Rotor Construction
 Integrated Speed Control and Self-Sizing Logic
 High Efficiency ECM motor
 Whisper Quiet Operation



Additional Features:

Lifecycle Savings - Reduces Energy Consumption by up to 85%

Easy Installation - Pump "Right Sizes" for Most Applications

Maintenance Free - Reliable for Decades of Efficient Operation

In-Stock Locally - Standard Shelf Product

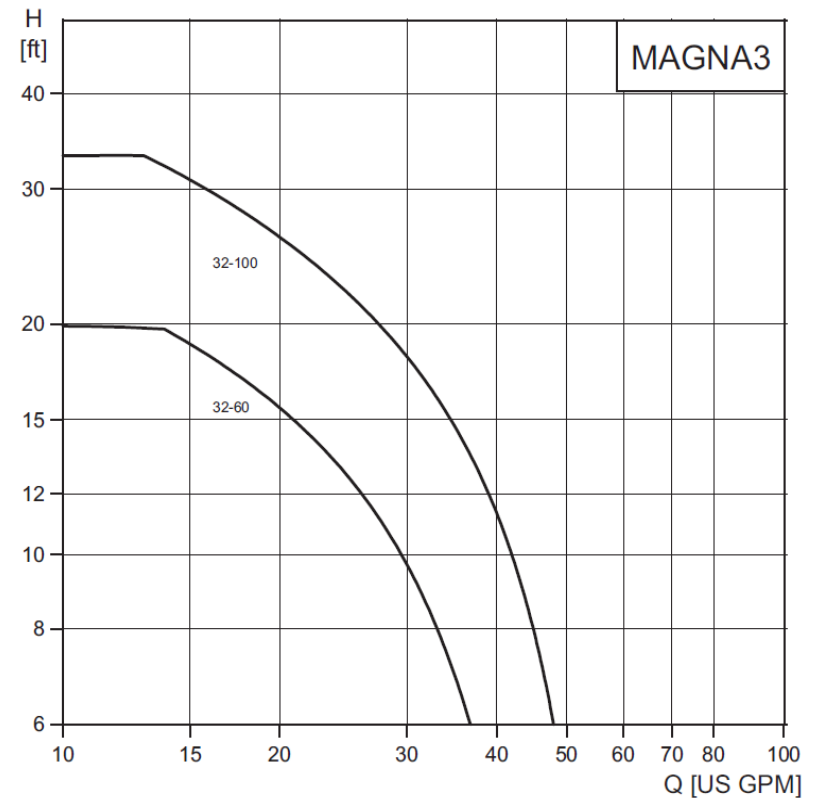
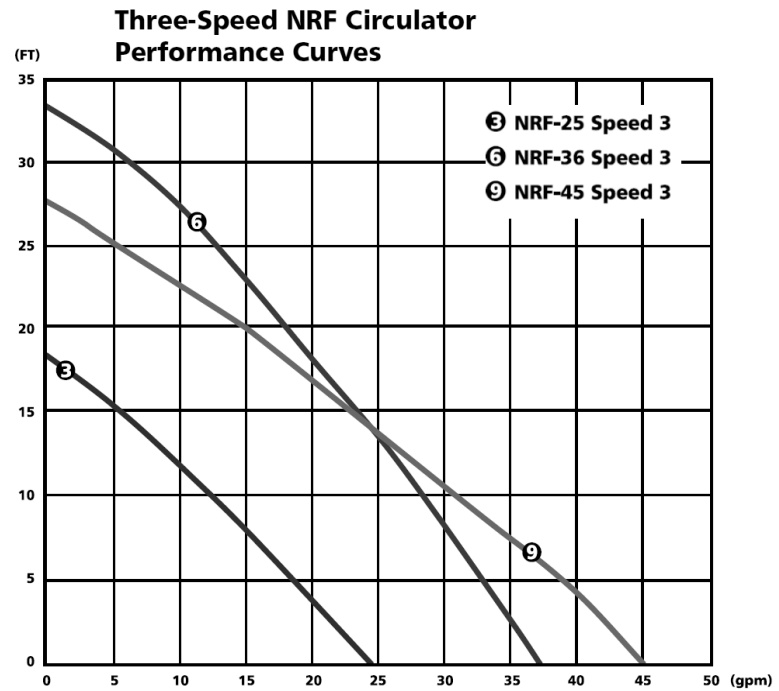
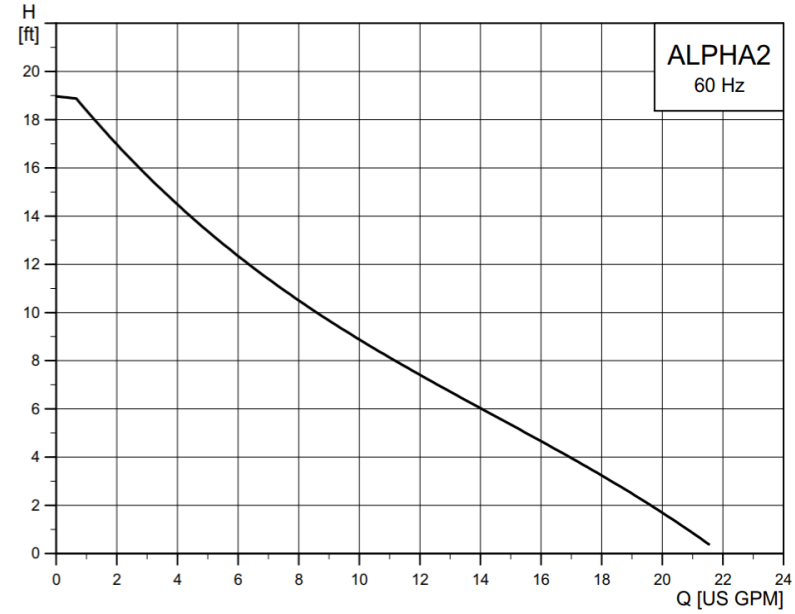
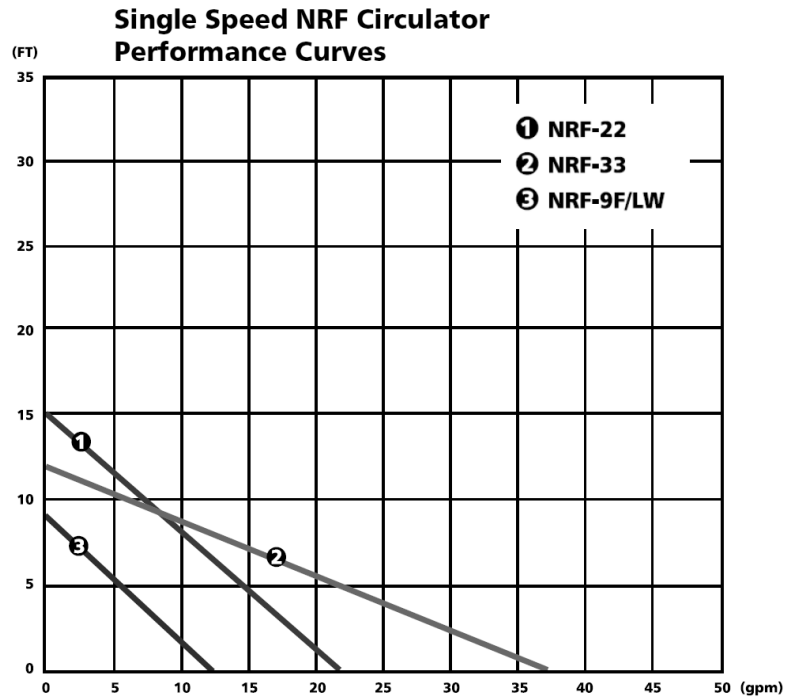
Compact - Makes Replacement Easy with a Spool Piece

B&G NRF Series						Grundfos				Grundfos crossover voltage options			
Model	Flange Size in	Motor Power HP	Pump Dimensions			Alpha2 / MAGNA3 Model	GF Flange Flange	Motor Power HP	Flange to Flange in	Cast Iron		Stainless Steel	
			A	B	C					1x115V Material #	1x230V Material #	1x115V Material #	1x230V Material #
NRF-9F	2 bolt	1/40	6 3/8	6 3/16	5 1/8	Alpha2 15-55 F	GF 15/26	1/16	6 1/2	99163903		99163937	
NRF-22	2 bolt	1/35	6 3/8	6 3/16	5 1/8	Alpha2 15-55 F	GF 15/26	1/16	6 1/2	99163903		99163937	
NRF-25	2 bolt	1/40	6 3/8	6 3/16	5 1/8	Alpha2 15-55 F	GF 15/26	1/16	6 1/2	99163903		99163937	
NRF-33	2 bolt	1/40	6 3/8	5 9/16	4 7/8	Magna3 32-60 F	GF 15/26	1/8	6 1/2	98126820	98126820	98126822	98126822
NRF-36	2 bolt	1/25	6 3/8	6 7/8	5 3/4	Magna3 32-100 F	GF 15/26	1/6	6 1/2	98126824	98126824	98126826	98126826
NRF-45	2 bolt	1/25	8 1/2	7 3/8	5 3/4	Magna3 32-100 F	GF 15/26	1/6	6 1/2	98126824	98126824	98126826	98126826

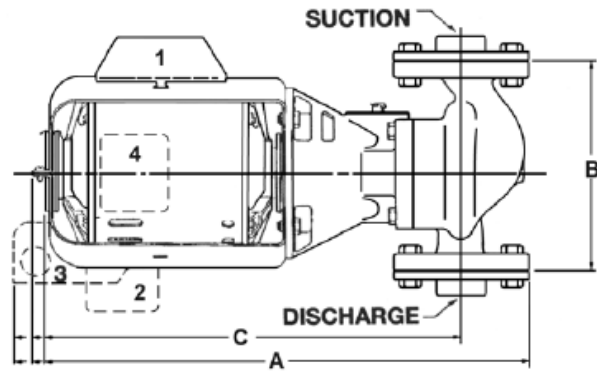


B&G NRF Series

Grundfos



B&G 3-Piece Pumps to Grundfos Efficient Option



Industry Leading Technology
 Maintenance Free Wet-Rotor Construction
 Integrated Speed Control and Self-Sizing Logic
 Built-in motor protection and Start/Stop contact
 High Efficiency ECM motor
 Whisper Quiet Operation



Additional Features:

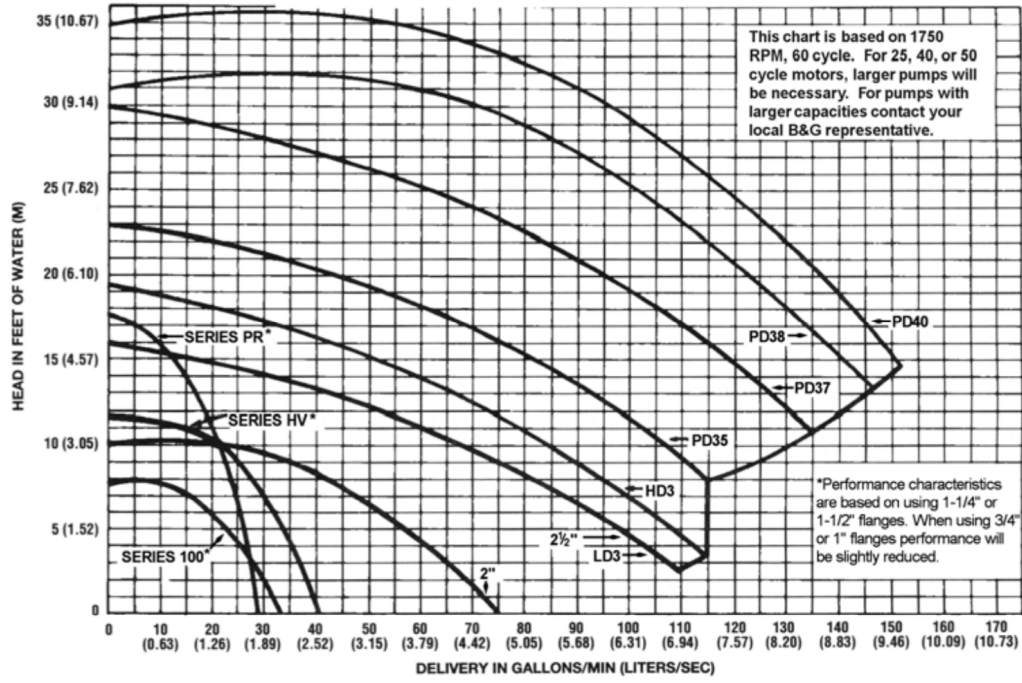
- Lifecycle Savings - Reduces Energy Consumption by up to 85%
- Easy Installation - Pump "Right Sizes" for Most Applications
- Maintenance Free - Reliable for Decades of Efficient Operation
- In-Stock Locally - Standard Shelf Product
- Compact - Makes Replacement Easy with a Spool Piece

B&G 3-Piece Pumps						Grundfos				Grundfos crossover voltage options			
Model	Flange Size in	Motor Power HP	Pump Dimensions			MAGNA3 Model	GF Flange Flange	Motor Power HP	Flange to Flange in	Cast Iron		Stainless Steel	
			A	B	C					1x115V Material #	1x230V Material #	1x115V Material #	1x230V Material #
100	1 1/4	1/12	14 7/8	6 3/8	12 3/4	Magna3 32-60 F	GF 15/26	1/8	6 1/2	98126820	98126820	98126822	98126822
PR	1 1/4	1/6	15 1/4	8 1/2	12 3/4	Magna3 32-60 F	GF 15/26	1/8	6 1/2	98126820	98126820	98126822	98126822
HV	1 1/4	1/6	15 3/8	8 1/2	13	Magna3 32-60 F	GF 15/26	1/8	6 1/2	98126820	98126820	98126822	98126822
2	2	1/6	16 5/8	8 1/2	14	Magna3 40-80	GF 15/26 or 40/43	1/3	8 1/2	98126800	98126828	98126802	98126830
2.5	2 1/2	1/4	17 1/4	10	14	Magna3 50-80 F	GF 53	1/3	9 1/2	98126812	98126840	98126814	98126842
LD3	3	1/4	17 1/4	10	14	Magna3 50-80 F	GF 53	1/3	9 1/2	98126812	98126840	98126814	98126842
HD3	3	1/3	17 1/2	10	14 1/4	Magna3 50-80 F	GF 53	1/3	9 1/2	98126812	98126840	98126814	98126842
PD-35	3	1/2	20 1/4	12	16 7/8	Magna3 50-80 F	GF 53	1/3	9 1/2	98126812	98126840	98126814	98126842
PD-37	3	3/4	20 1/4	12	16 7/8	Magna3 50-150 F	GF 53	3/4	11	98126816	68126844	98126818	98126846
PD-38	3	1	22 11/16	14 1/2	18 15/16	Magna3 65-120 F	GF 53	1	13 7/16	98124696	98126848	98124702	98126850
PD-40	3	1 1/2	24 3/4	14 1/2	21	Magna3 65-120 F	GF 53	1	13 7/16	98124696	98126848	98124702	98126850

B&G 3-Piece Series



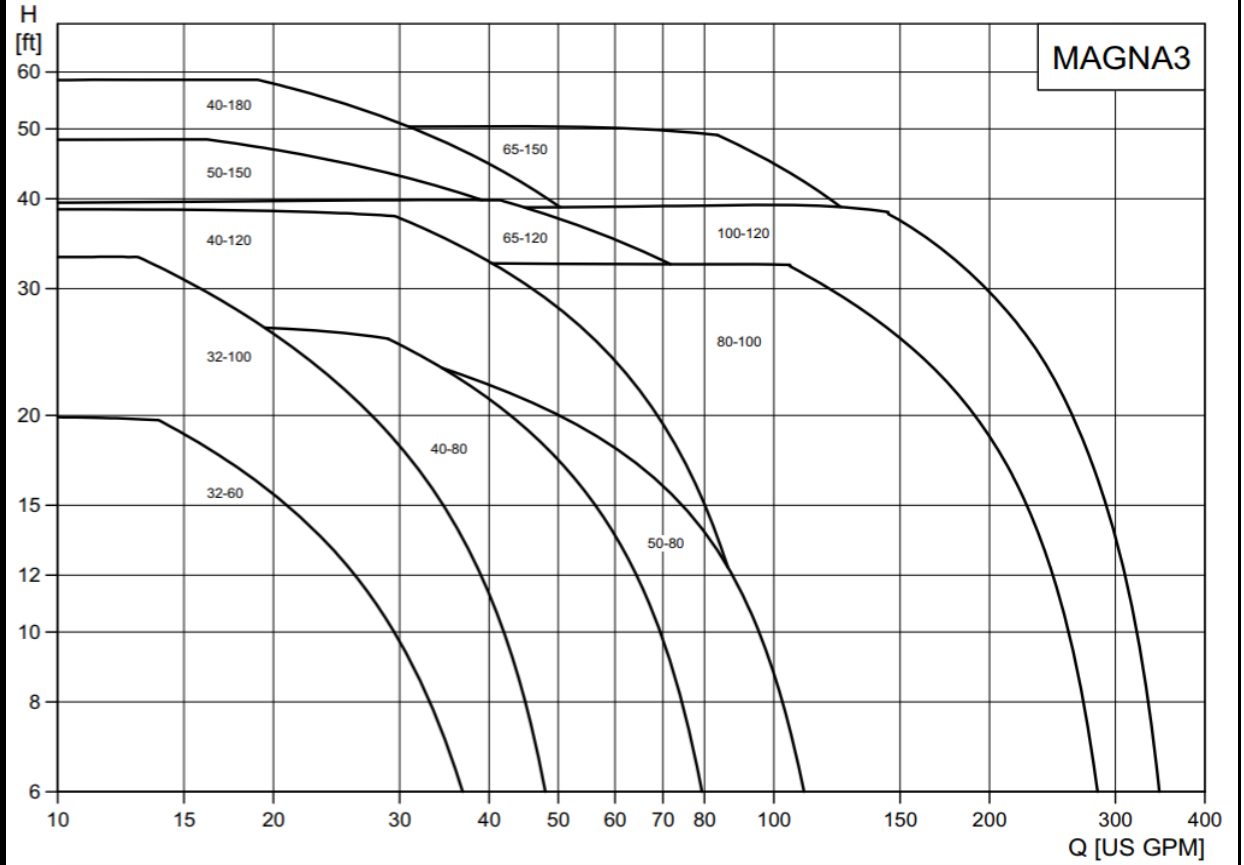
B&G 3-Piece Series



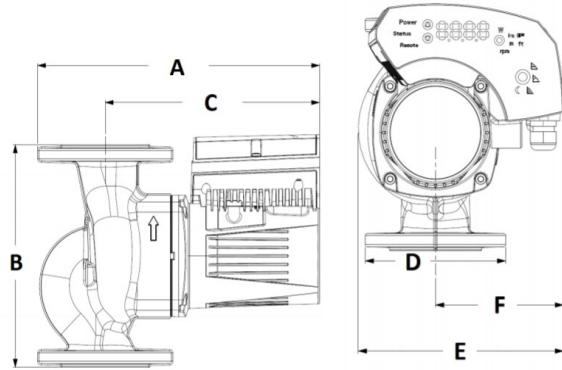
Grundfos Offering



Grundfos



B&G Ecocirc XL Series to Grundfos Efficient Option



Industry Leading Technology
 Integrated Speed Control and Self-Sizing Logic
 Built-in motor protection and Start/Stop contact
 High Efficiency ECM motor
 Whisper Quiet Operation



Additional Features:

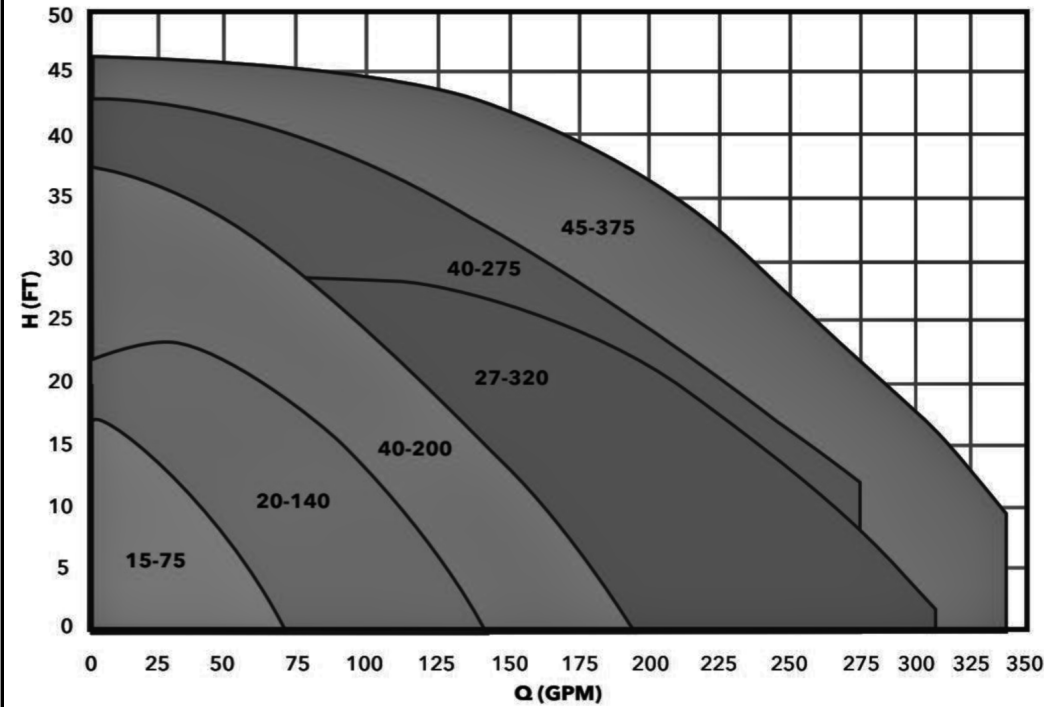
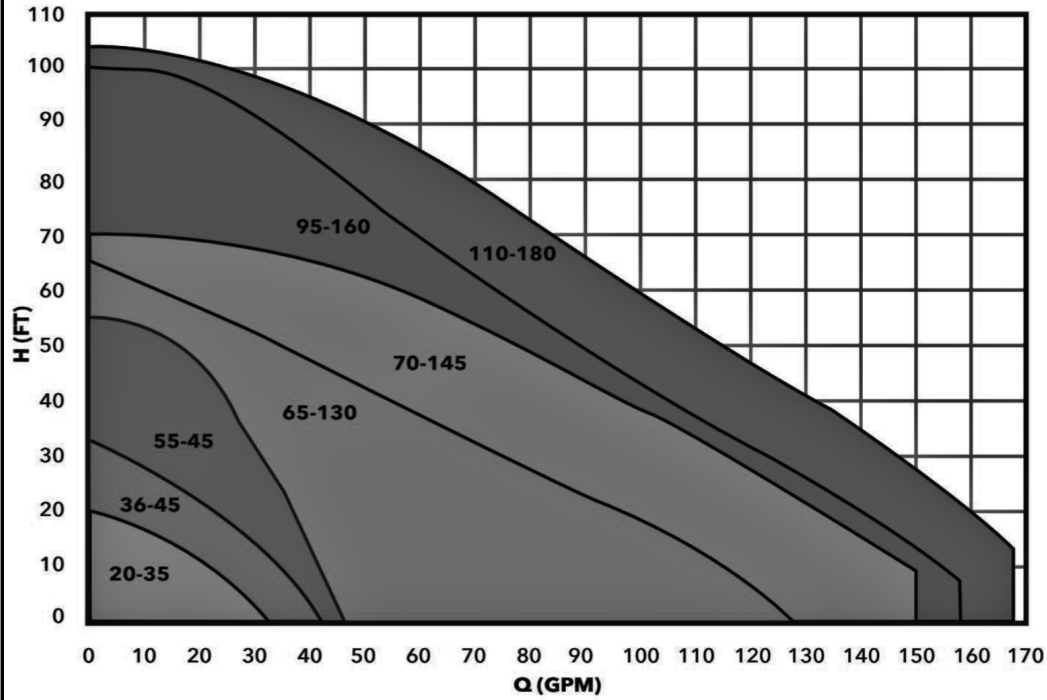
- Lifecycle Savings - Reduces Energy Consumption by up to 85%
- Easy Installation - Pump "Right Sizes" for Most Applications
- Low Maintenance - Reliable for Decades of Efficient Operation
- In-Stock Locally - Standard Shelf Product
- Compact - Makes Replacement Easy with a Spool Piece

B&G Ecocirc XL Series						Grundfos				Grundfos crossover voltage options					
Model	Flange Size in	Motor Power HP	Pump Dimensions			MAGNA3 / TPE3 Model	GF Flange Flange	Motor Power HP	Flange to Flange in	Cast Iron			Stainless Steel		
			A	B	C					1x115V Material #	1x230V Material #	3x460V Material #	1x115V Material #	1x230V Material #	3x460V Material #
20-35	1	1/12	9 15/16	6 6/16	8 3/16	Magna3 32-60 F	GF 15/26	1/8	6 1/2	98126820	98126820		98126822	98126822	
36-45	1	1/6	9 15/16	6 6/16	8 3/16	Magna3 32-100 F	GF 15/26	1/6	6 1/2	98126824	98126824		98126826	98126826	
15-75	1	1/6	11 1/16	8 8/16	8 6/16	Magna3 32-100 F	GF 15/26	1/6	6 1/2	98126824	98126824		98126826	98126826	
55-45	1 1/4	1/2	11 14/16	6 6/16	10 3/16	Magna3 40-180 F	GF 15/26 or 40/43	3/4	8 1/2	98126808	98126836		98126810	98126838	
20-140	1 1/4	1/2	13 6/16	11 8/16	10 6/16	Magna3 50-150 F	GF 53	3/4	11	98126816	68126844		98126818	98126846	
65-130	1 1/4	1	14 13/16	11 8/16	11 13/16	TPE3 40-180 F	125# ANSI	1	9 13/16		99223931	99223965		99223948	99223981
40-200	1 1/2	1	15 3/16	11 8/16	11 13/16	Magna3 65-120 F	GF 53	1	13 7/16	98124696	98126848		98124702	98126850	
70-145	1 1/2	2	14 13/16	11 8/16	11 13/16	TPE3 40-180 F	125# ANSI	1 1/2	9 13/16		99223931	99223965		99223948	99223981
40-275	1 1/2	2	16 1/16	12	12 10/16	TPE3 80-120 F	125# ANSI	1 1/2	14 3/16		99224180	99224186		99224181	99224187
65-130	1 1/2	1	14 15/16	11 8/16	11 14/16	TPE3 40-180 F	125# ANSI	1 1/2	9 13/16		99223931	99223965		99223948	99223981
40-200	2	1	15 4/16	11 8/16	11 14/16	Magna3 65-120 F	GF 53	1	13 7/16	98124696	98126848		98124702	98126850	
95-160	2	2	14 7/16	11 8/16	11 6/16	TPE3 40-240 F	125# ANSI	2	9 13/16		99223937	99223970		99223954	99223986
27-320	2	2	15 4/16	14 3/16	11 13/16	Magna3 100-120 F	GF 100	2	17 3/4		98126860			98126862	
110-180	2	3	14 7/16	11 8/16	11 6/16	TPE3 50-240 F	125# ANSI	3	11			99224046			99224065
45-375	1 1/2	3	16 2/16	14 3/16	12 11/16	TPE3 80-150 F	125# ANSI	3	14 3/16		99224182	99224188		99224183	99224189

B&G Ecocirc XL Series



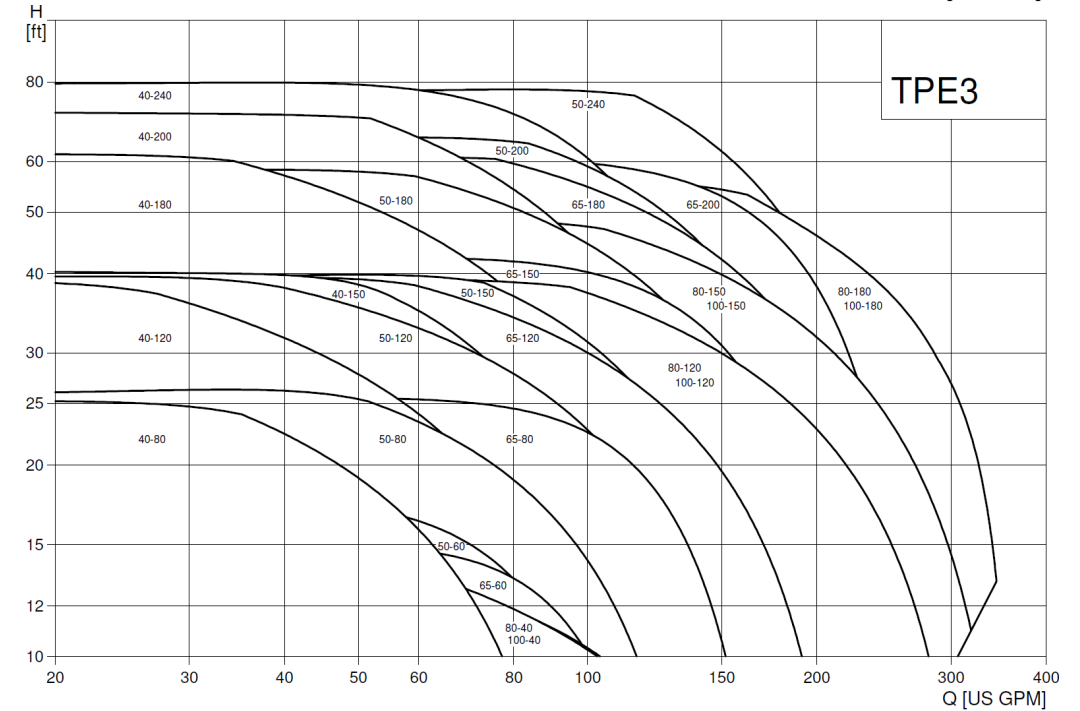
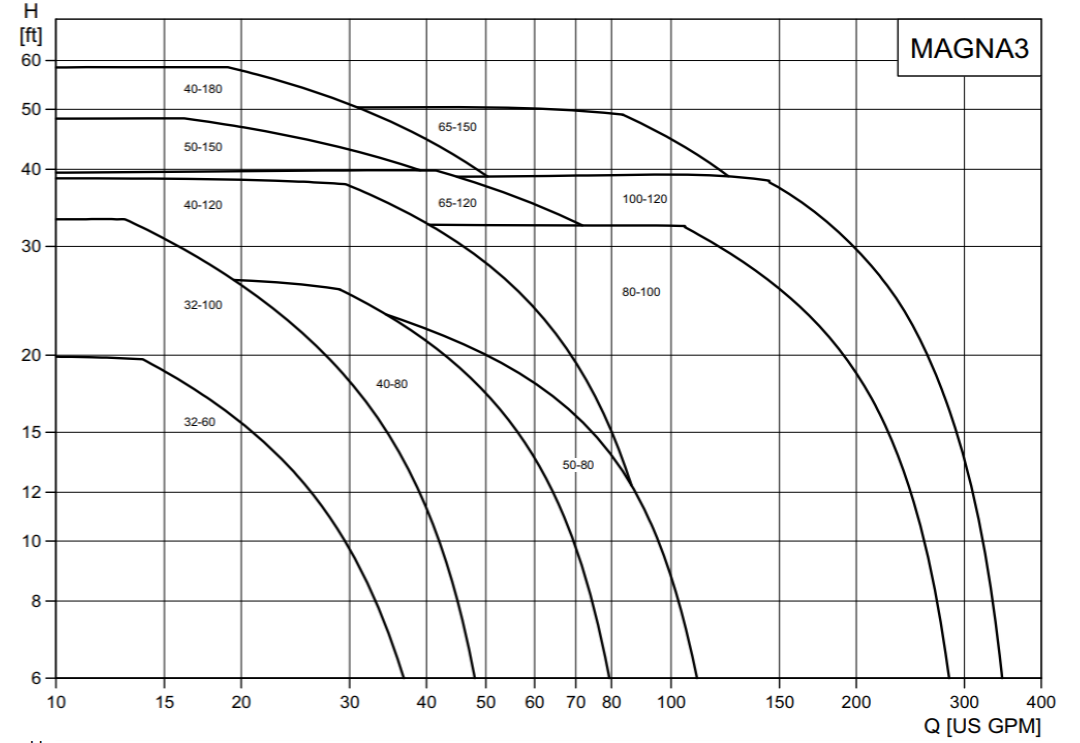
B&G Ecocirc XL Series



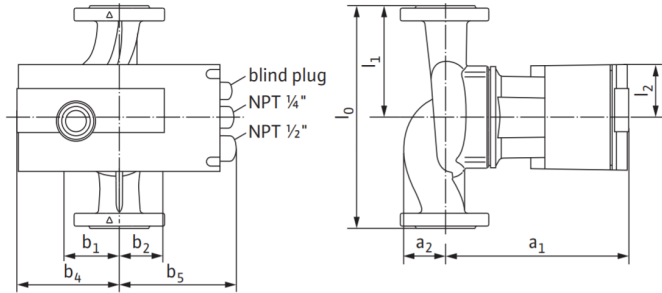
Grundfos Offering



Grundfos



Wilco Stratos to Grundfos Efficient Option



Industry Leading Technology
 Maintenance Free Wet-Rotor Construction
 Integrated Speed Control and Self-Sizing Logic
 High Efficiency ECM motor
 Whisper Quiet Operation



Additional Features:

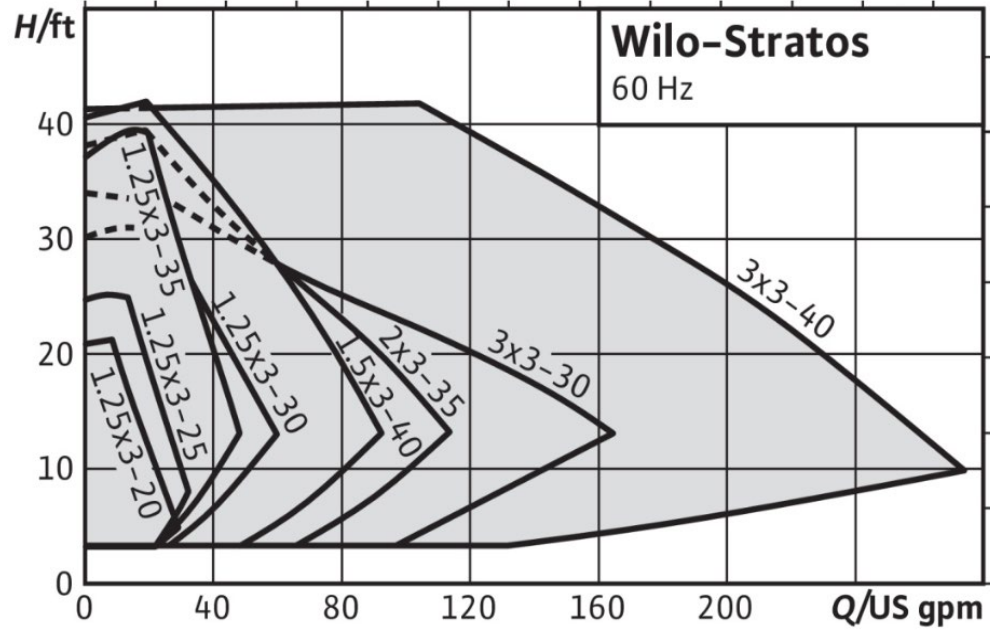
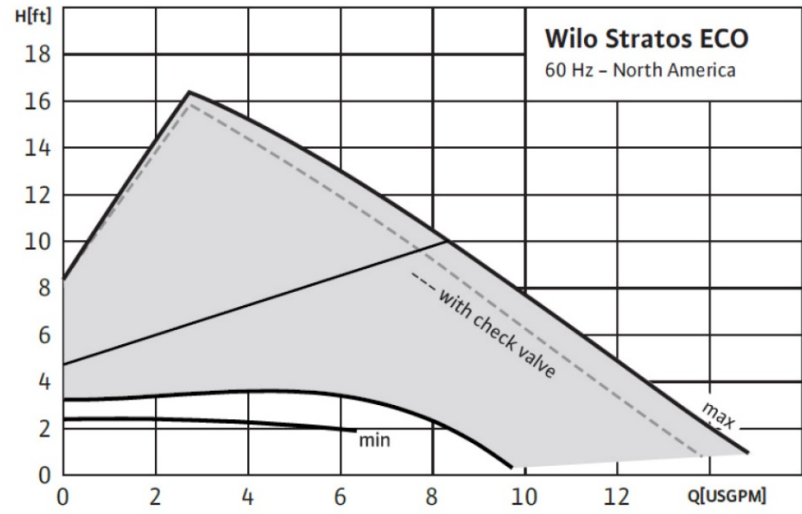
- Lifecycle Savings - Reduces Energy Consumption by up to 85%
- Easy Installation - Pump "Right Sizes" for Most Applications
- Maintenance Free - Reliable for Decades of Efficient Operation
- In-Stock Locally - Standard Shelf Product
- Compact - Makes Replacement Easy with a Spool Piece

Wilco Stratos Series						Grundfos				Grundfos crossover voltage options			
Model	Flange Size	Motor Power	Pump Dimensions			Alpha2 / MAGNA3 Model	GF Flange	Motor Power	Flange to Flange	Cast Iron		Stainless Steel	
			l _o	a + a	a					1x115V	1x230V	1x115V	1x230V
	in	HP						in	Material #	Material #	Material #	Material #	
ECO 16	2 bolt	1/4	6 1/2	6 3/8	12 3/4	Alpha2 15-55	GF 15/26	1/16	6 1/2	99163903		99163937	
1.25x3-20	2	1/6	6 1/2	8 7/8	7 3/16	Magna3 32-60 F	GF 15/26	1/8	6 1/2	98126820	98126820	98126822	98126822
1.25x3-25	2	1/6	6 1/2	8 7/8	7 3/16	Magna3 32-100 F	GF 15/26	1/3	6 1/2	98126824	98126824	98126826	98126826
1.25x3-30	2	1/4	8 1/2	9 15/16	8 1/16	Magna3 40-80	GF 15/26 or 40/43	1/3	8 1/2	98126800	98126828	98126802	98126830
1.25x3-35	2	1/4	8 1/2	9 7/8	7 15/16	Magna3 40-120 F	GF 15/26 or 40/43	1/2	8 1/2	98126804	98126832	98126806	98126834
1.5x3-40	2	1/3	10	12 3/8	9 15/16	Magna3 40-120 F	GF 15/26 or 40/43	1/2	8 1/2	98126804	98126832	98126806	98126834
2x3-35	2	1/2	11	13	10 1/16	Magna3 50-150 F	GF 53	3/4	11	98126816	68126844	98126818	98126846
3x3-30	2	3/4	14	16 1/4	12 13/16	Magna3 65-120 F	GF 53	1	13 7/16	98124696	98126848	98124702	98126850
3x3-40	3	1-3/4	14	16 1/2	12 15/16	Magna3 100-120 F	GF 100	2	17 18/25		98126860		98126862

Wilo Stratos Series



Wilo Stratos Series



Grundfos Offering



Grundfos

